



Speed Scrub™ 2701/3301

Automatic Floor Scrubber
Fregadora Automática

Model No.:

608695 – 2701

608696 – 2701 Pac

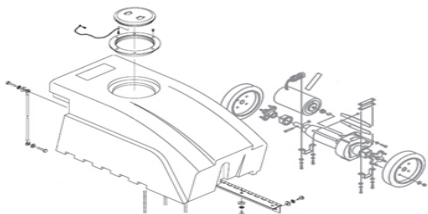
609239 – 2701 Can. Pac

608275 – 3301

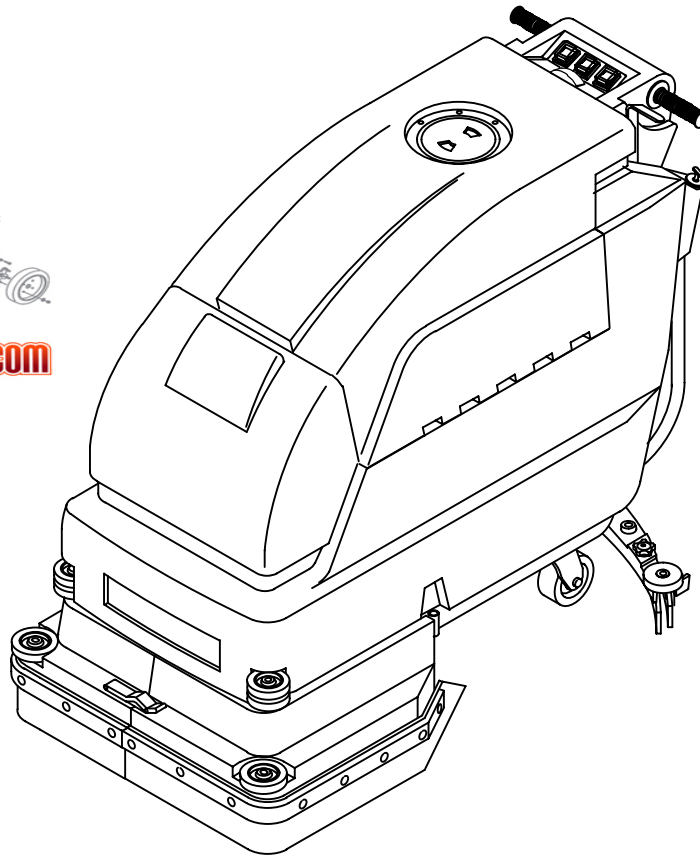
608276 – 3301 Pac

609238 – 3301 Can. Pac

Operator and Parts Manual
Manual de Operación y de Piezas



FLOOR-EQUIPMENT-PARTS.COM



NOBLES

12875 RANSOM STREET
HOLLAND MI 49424 U.S.A.

CUSTOMER SERVICE: 1-800-365-6625
FAX: 1-800-678-4240

608290
Rev. 02 (06-01)

OPERATION

This manual is furnished with each new model. It provides necessary operation and maintenance instructions and a parts list.

Read this manual completely and understand the machine before operating or servicing.

When ordering parts, use the illustrated Parts Lists in this manual. Before ordering parts or supplies, be sure to have your machine model number and serial number handy. Parts and supplies may be ordered by phone or mail from any authorized Service Center or Distributor.

This machine will provide excellent service. However, the best results will be obtained at minimum costs if:

- The machine is operated with reasonable care.
- The machine is maintained regularly - per the maintenance instructions provided.
- The machine is maintained with manufacturer supplied or equivalent parts.

MACHINE DATA

Please fill out at time of installation for future reference.

Model No.- _____

Install. Date - _____

Serial No.- _____

©2001 Tennant Company

Printed in U.S.A.

Nobles is a registered United States trademark of Tennant Company.
Speed Scrub is a United States trademark of Tennant Company.

TABLE OF CONTENTS (ESPAÑOL ÍNDICE....19)


<p>SAFETY PRECAUTIONS 3</p> <p>MACHINE COMPONENTS 4</p> <p>MACHINE INSTALLATION 5</p> <p style="padding-left: 20px;">UNCRATING MACHINE 5</p> <p style="padding-left: 20px;">ATTACHING SQUEEGEE ASSEMBLY 5</p> <p style="padding-left: 20px;">INSTALLING BATTERIES 5</p> <p>MACHINE SETUP 6</p> <p style="padding-left: 20px;">PRE-OPERATION CHECKS 6</p> <p style="padding-left: 20px;">INSTALLING BRUSH OR PAD DRIVERS ... 6</p> <p style="padding-left: 20px;">FILLING SOLUTION TANK 7</p> <p>MACHINE OPERATION 8</p> <p style="padding-left: 20px;">WHILE OPERATING MACHINE 9</p> <p style="padding-left: 20px;">CIRCUIT BREAKERS 9</p> <p>DRAINING TANKS 10</p> <p style="padding-left: 20px;">DRAINING RECOVERY TANK 10</p> <p style="padding-left: 20px;">DRAINING SOLUTION TANK 10</p> <p>BATTERY CHARGING 11</p> <p>MACHINE MAINTENANCE 12</p> <p style="padding-left: 20px;">DAILY MAINTENANCE 12</p> <p style="padding-left: 20px;">WEEKLY MAINTENANCE 12</p> <p style="padding-left: 20px;">MONTHLY MAINTENANCE 12</p> <p style="padding-left: 20px;">QUARTERLY MAINTENANCE 12</p> <p style="padding-left: 20px;">BATTERY MAINTENANCE 13</p> <p style="padding-left: 20px;">DRIVE CHAIN MAINTENANCE 13</p> <p>TRANSPORTING MACHINE 14</p>	<p>STORING MACHINE 14</p> <p>RECOMMENDED STOCK ITEMS 14</p> <p>TROUBLE SHOOTING 15</p> <p>SPECIFICATIONS 17</p> <p>ELECTRICAL DIAGRAMS 36</p> <p>PARTS LIST 38</p> <p style="padding-left: 20px;">REPLACEMENT BRUSHES AND PAD</p> <p style="padding-left: 40px;">DRIVER GROUP 38</p> <p style="padding-left: 40px;">RECOVERY TANK GROUP 40</p> <p style="padding-left: 40px;">CHASSIS GROUP 42</p> <p style="padding-left: 40px;">CONTROL CONSOLE GROUP 44</p> <p style="padding-left: 40px;">LEVER GROUP 46</p> <p style="padding-left: 40px;">ELECTRICAL PANEL GROUP 48</p> <p style="padding-left: 40px;">DRIVE WHEEL GROUP 50</p> <p style="padding-left: 40px;">BRUSH DRIVE AND SOLUTION HOSE</p> <p style="padding-left: 80px;">GROUP 52</p> <p style="padding-left: 40px;">SKIRT GROUP 54</p> <p style="padding-left: 40px;">SQUEEGEE CONTROL GROUP 56</p> <p style="padding-left: 40px;">CURVED SQUEEGEE GROUP 58</p> <p>OPTIONS 60</p> <p style="padding-left: 20px;">ES™ KIT 60</p> <p style="padding-left: 20px;">SQUEEGEE WAND ASSEMBLY 62</p>
---	---

SAFETY PRECAUTIONS

This machine is suited to scrub floors in a indoor environment and is not constructed for any other use. Use only recommended pads and cleaning solutions.

All operators must read, understand and practice the following safety precautions.

The following safety alert symbols are used throughout this manual as indicated in their description.

 **WARNING: To warn of hazards or unsafe practices which could result in severe personal injury or death.**

FOR SAFETY: To identify actions which must be followed for safe operation of equipment.

The following information signals potentially dangerous conditions to the operator or equipment:

FOR SAFETY:


1. **Do not operate machine:**
 - Unless trained and authorized.
 - Unless operation manual is read and understood.
 - In flammable or explosive areas unless designed for use in those areas.
2. **Before starting machine:**
 - Make sure all safety devices are in place and operate properly.
3. **When using machine:**
 - Go slow on inclines and slippery surfaces.
 - Use care when reversing machine.
 - Report machine damage or faulty operation immediately.
 - Always follow safety and traffic rules.
 - Follow mixing and handling instructions on chemical containers.


4. Before leaving or servicing machine:

- Stop on level surface.
- Turn off machine.

5. When servicing machine:

- **Avoid moving parts. Do not wear loose jackets, shirts, or sleeves.**
- **Block machine tires before jacking machine up.**
- **Use hoist or jack of adequate capacity to lift machine.**
- **Disconnect battery connections before working on machine.**
- **Wear protective gloves when handling batteries or battery cables.**
- **Avoid contact with battery acid.**
- **Use manufacturer supplied or approved replacement parts.**

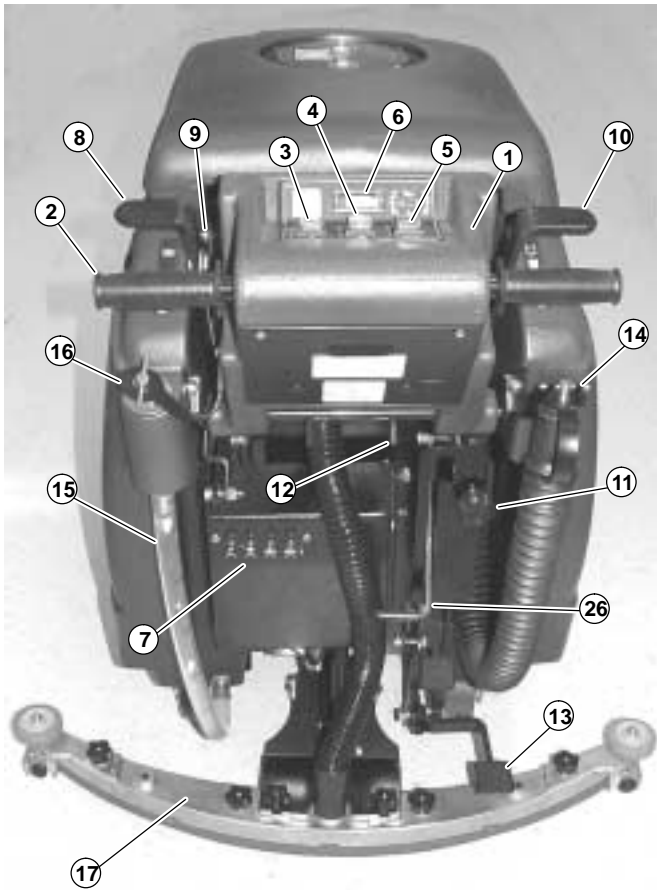
 **WARNING: Batteries emit hydrogen gas. Explosion or fire can result. Keep sparks and open flame away. Keep battery compartment open when charging.**

 **WARNING: Flammable materials can cause an explosion or fire. Do not use flammable materials in tank(s).**

 **WARNING: Flammable materials or reactive metals can cause explosion or fire. Do not pick up.**

OPERATION

MACHINE COMPONENTS



1. Control Console
2. Control Grips
3. Main/Drive ON/OFF switch
4. Vacuum ON/OFF Switch
5. Brush ON/OFF Switch
6. Battery Meter
7. Circuit Breakers
8. Squeegee Lift Lever
9. Squeegee Release Lever
10. Solution Flow Lever
11. Solution Flow Adjustment Knob
12. Adjustable Control Console Levers
13. Scrub Head Lift Foot Pedal
14. Recovery Tank Drain Hose
15. Solution Tank Drain Hose with Gallon Markers

16. Rear Fill Port
17. Squeegee Assembly
18. Recovery Tank
19. Recovery Tank Lid
20. Solution Fill Door
21. Safety Lights
22. Rear Casters
23. Skirt Housing
24. Scrub Head Skirt
25. Wall Rollers
26. Brush Pressure Lever

MACHINE INSTALLATION

UNCRATING MACHINE

Carefully check carton for signs of damage. Report damages at once to carrier. Check carton contents to ensure all accessories are included. Squeegee is packaged with machine. Batteries, battery charger and pad driver(s) are packaged separately. (Batteries not included with Pac #609238 or 609239)

ATTENTION: Battery installation must be accomplished after removing machine from shipping crate.

To uncrate your machine, remove shipping straps and raise brush head. To raise brush head, step down firmly on the bottom brush lift foot pedal until pedal locks into the raised position. Carefully lift or make a ramp using crate boards to remove machine from pallet.

ATTENTION: Do not roll machine off pallet, damage may occur.

ATTACHING SQUEEGEE ASSEMBLY

1. Pull back on squeegee lift lever to raise squeegee mount bracket.
2. Loosen two thumb knobs on squeegee and slide squeegee into slots at rear of squeegee mount bracket. Be certain that squeegee roller wheels are toward the rear (*Figure 1*).

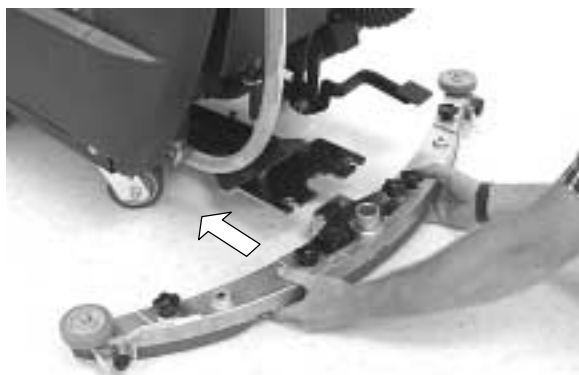


FIG. 1

3. Tighten thumb knobs securely.

INSTALLING BATTERIES

⚠ WARNING: Batteries emit hydrogen gas. Explosion or fire can result. Keep sparks and open flame away. Keep battery compartment open when charging.

FOR SAFETY: When servicing machine, wear protective gloves when handling batteries or battery cables. Avoid contact with battery acid.

Recommended Battery Specifications:

Four 6 volt, deep cycle, 305 amp hour batteries. Part Number #130870. Maximum battery dimensions are 178mm (7 in) W x 308mm (12.13 in) L x 356mm (14 in) H.

1. Turn all switches to the OFF position and pull out the Main Power circuit breaker button as shown (*Figure 2*).

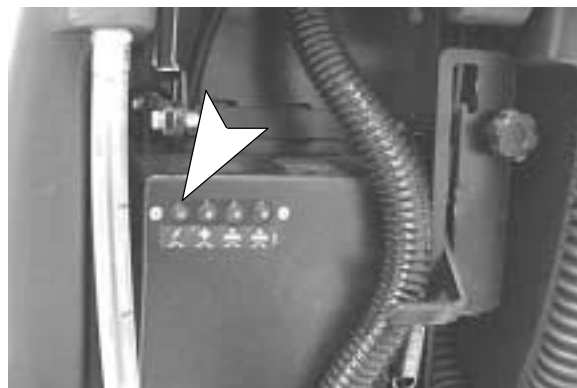


FIG. 2

ATTENTION: To prevent motors from accidental starting, be certain to pull out the “MAIN” circuit breaker button before installing batteries.

2. Carefully hinge open recovery tank to access battery compartment. Make sure recovery tank is empty before opening. Remove loose battery cables from compartment (*Figure 3*).



FIG. 3

OPERATION

- Carefully install batteries into compartment and arrange battery posts as shown (Figure 4).

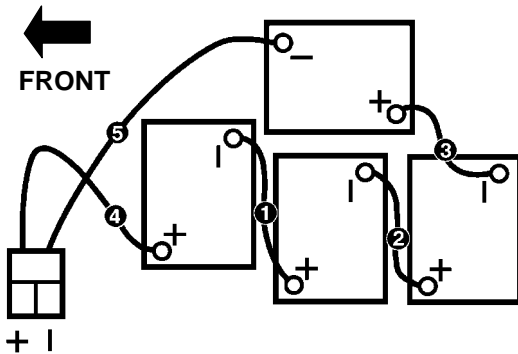


FIG. 4

ATTENTION: Do not drop batteries into compartment, battery and machine housing damage may result. This damage is not covered by warranty.

- Connect cables to battery posts in numerical order as labeled (RED TO POSITIVE & BLACK TO NEGATIVE). (Figure 4)
- Double check cable connections before closing up battery compartment.
- Reset the "MAIN" circuit breaker button.
- Turn "MAIN" switch on, and check battery meter charge level to ensure batteries are fully charged. If batteries need charging, see *BATTERY CHARGING*.

MACHINE SETUP

PRE-OPERATION CHECKS

- Sweep and dust mop floor to remove particles and other debris.
- Check battery meter charge level to ensure batteries are fully charged. (See *BATTERY CHARGING*)
- Check that pads or brushes are installed.
- Check that squeegee is installed.

INSTALLING BRUSH OR PAD DRIVERS

- Turn Main switch to the "OFF" position and pull out the Main Power circuit breaker button.

FOR SAFETY: Before leaving or servicing machine, stop on level surface and turn off machine.

ATTENTION: To prevent accidental starting, pull out the Main Power circuit breaker button before installing brush or pad drivers. Circuit breaker button is located a rear of control housing.

- Raise scrub head. Step down firmly on bottom brush lift foot pedal to raise (Figure 5).



FIG. 5

- Unfasten black latch at front of machine and hinge open skirt housing to access motor hub (Figure 6).



FIG. 6

- Select recommended pad or brush that best meets your cleaning needs.

NOTE: Consult your authorized distributor for pad/brush recommendations.

5. **(For Pad Installation)** Attach pads to pad drivers before connecting drivers to motor hub. To attach pad to driver, remove plastic centerlock ring from pad driver. Position pad on pad driver and replace centerlock ring (*Figure 7*).



FIG. 7

6. Attach brush/pad drivers to motor hubs. Align (3) mounting studs with slots in motor hub. Give driver a quick turn toward spring clip located on motor hub. Be certain pad driver is securely fastened and spring clip locks into one of the studs before operating machine (*Figure 8*).



FIG. 8

NOTE: Always make sure pad driver and motor hub surfaces are always clean before installing drivers. Keeping surfaces clean will make it easier when removing pad drivers.

7. Close skirt housing and refasten latch.

FILLING SOLUTION TANK

1. Transport machine to filling station. Raise squeegee and brush when transporting.
2. Turn off machine.

FOR SAFETY: Before leaving or servicing machine, stop on level surface and turn off machine.

3. Shut off solution flow. Pull solution flow lever completely back to shut off (*Figure 9*).



FIG. 9

4. Open solution fill door at front of machine and fill solution tank with clean water, 60°C (140°F) maximum temperature. Or you can fill solution tank using hose fill port at rear of machine. Twist off plug and insert hose to fill. The clear tube below the fill port has 19L (5 gallon) increment markers to indicate amount of water in tank (*Figure 10*).



FIG. 10

NOTE: If filling with a bucket be certain that bucket is clean. This will prevent possible solution line clogs.

5. Add cleaning chemical. See proper dilution ratio instructions on bottle.

FOR SAFETY: When using machine, follow mixing and handling instructions on chemical containers.

ATTENTION: Use only recommended cleaning chemicals, DO NOT use substitutes. Consult an authorized distributor to assist you with the recommended cleaning chemicals.

⚠ WARNING: Flammable materials can cause an explosion or fire. Do not use flammable materials in tanks.

OPERATION

MACHINE OPERATION

FOR SAFETY: Do not operate machine unless operator manual is read and understood.

1. Adjust control grips to a comfortable operating height (three settings). Squeeze two levers together, located under console, to raise and lower control grips (*Figure 11*).

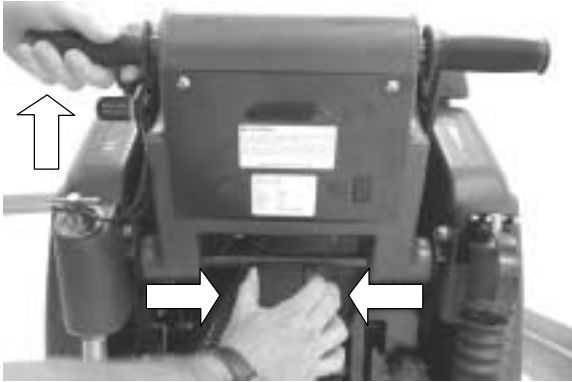


FIG. 11

2. Lower squeegee. Depress thumb lever on squeegee lift lever to lower (*Figure 12*).



FIG. 12

3. Lower scrub head. Depress top brush lift foot pedal forward to lower (*Figure 13*).

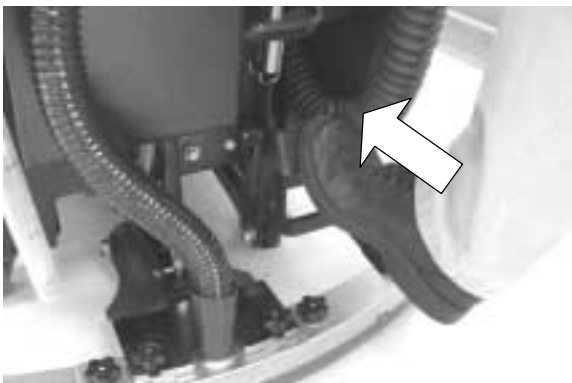


FIG. 13

4. Turn on the MAIN, VACUUM and BRUSH switches.

NOTE: The brush motors will not start until control grips are rotated.

5. Activate solution flow. Push solution flow lever slightly forward to activate. The further the lever is pushed forward the more solution will flow. Push completely forward for maximum flow. Solution will immediately begin to flow once lever is activated (*Figure 14*).



FIG. 14

NOTE: To increase or decrease the maximum solution flow, turn solution flow adjustment knob. Turn knob clockwise to decrease solution flow or counterclockwise to increase (*Figure 15*).



FIG. 15

6. Slowly rotate control grips forward to begin scrubbing. The machine will continue to gain speed the further you rotate grips. To drive machine in reverse; simply rotate control grips backwards.

⚠ WARNING: Flammable materials or reactive metals can cause explosion or fire. Do not pick up.

ATTENTION: Always start machine out slowly to prevent machine from leaping forward.

7. View amount of solution flow on floor and adjust solution control lever to desired solution flow.
8. To stop scrubbing, release control grips.

WHILE OPERATING MACHINE

FOR SAFETY: When using machine, go slow on inclines and slippery surfaces.

1. Periodically check for foam buildup in recovery tank (*look through clear lid*). If excessive foam buildup begins to develop, pour a recommended foam control solution into recovery tank.

ATTENTION: Do not allow foam or water to enter vacuum standpipe, vacuum motor damage will result. Ball float shutoff will not keep foam out of standpipe. Vacuum damage due to foam or water is not covered by warranty.

2. If more scrubbing pressure is needed for small heavily soiled areas, follow steps below:
 - a. Lower brush.
 - b. Lift brush pressure lever to the locked position (*Figure 16*).

NOTE: Brush MUST be down to allow brush pressure lever to be lifted to the locked position. Do not leave lever in the lock position when brushes are raised.



FIG. 16

3. If squeegee leaves streaks, raise and wipe blades with a cloth. Pre-sweep area to prevent streaking.
4. Before stopping or turning machine around, pull back on solution control lever to shut off solution flow.

5. During brief stops, you do not have to turn off brush switch, the brush will automatically stop when control grips are released.
6. While cleaning, view clear tube gallon marker for remaining cleaning solution. Each mark on hose indicates 19 liters (5 gal).
7. Periodically check battery meter discharge level. When needle drops to the red zone, recharge batteries.

ATTENTION: Do not continue to run machine when battery meter needle is in the red zone, battery damage will result.

8. When solution tank runs dry, turn off brush switch, shut off solution control lever and continue to vacuum until all dirty water is consumed. Then drain recovery tank. (*See DRAINING TANKS*).

CIRCUIT BREAKERS

The machine is equipped with (4) circuit breakers to protect motors from damage. If circuit breakers trip, they cannot be reset immediately. Determine reason why breaker tripped, allow motor to cool and then reset. Brush motor circuit breakers will trip due to excessive overload on pad. Clean or change pad if breaker should trip. Circuit breaker buttons are located at rear of machine as shown (*Figure 17*).

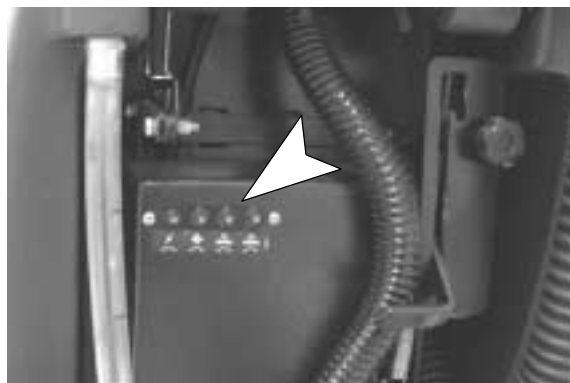


FIG. 17

NOTE: When servicing machine or when machine is left unattended, pull out the Main Power circuit breaker button. This will shut off all power to machine.

OPERATION

DRAINING TANKS

FOR SAFETY: Before leaving or servicing machine, stop on level surface and turn off machine.

DRAINING RECOVERY TANK

Recovery tank must be emptied prior to refilling solution tank. To drain recovery tank, perform the following steps:

ATTENTION: If recovery tank is not emptied between fill-ups, foam or water will enter vacuum standpipe and damage vacuum motor. Float shut-off screen will not keep foam out of standpipe. Vacuum damage due to foam or water is not covered by warranty.

1. Remove drain hose from holder, position hose over floor drain and twist off drain hose plug. To completely drain recovery tank, hinge open tank and flip up tank support stand to rest tank on (Figure 18).

NOTE: If using a bucket to drain machine, do not use same bucket for filling solution tank. This will prevent possible solution line clogs.



FIG. 18

2. Rinse out recovery tank after each use. This will prevent foul odor buildup. Use a hose to rinse out the recovery tank. Be careful not to spray water into shut-off float screen.
3. Replace drain hose plug tightly when tank is empty.

DRAINING SOLUTION TANK

To drain leftover cleaning solution from solution tank, follow steps below:

1. Pull clear hose off hose barb at rear of machine and drain solution into floor drain or bucket (Figure 19).



FIG. 19

2. Rinse out solution tank with clean water after each use and flush out solution flow system by pushing solution flow lever forward. This will prevent clogging due to chemical buildup. Use clear hose to drain solution tank.
3. Reconnect clear hose to hose barb. Be certain hose is completely pushed onto hose barb.

BATTERY CHARGING

The following charging instructions are intended for supplied chargers only. If you don't have a supplied battery charger, use a charger with the following specifications listed below. Improper charger may cause battery damage.

CHARGER SPECIFICATIONS:

- OUTPUT VOLTAGE – 24 VOLTS
- OUTPUT CURRENT – 25 AMPS
- AUTOMATIC SHUT-OFF CIRCUIT
- FOR LEAD ACID DEEP CYCLE BATTERY CHARGING

NOTE: *Recharge batteries ONLY after a total of 30 minutes or more of use. This will prolong battery life.*

⚠ WARNING: Batteries emit hydrogen gas. Explosion or fire can result. Keep sparks and open flame away. Keep battery compartment open when charging.

FOR SAFETY: When servicing machine, wear protective gloves when handling batteries or battery cables. Avoid contact with battery acid.

1. Transport machine to a well ventilated area when charging.
2. Turn machine power off.

FOR SAFETY: Before leaving or servicing machine, stop on level surface and turn off machine.

3. Hinge open recovery tank to access batteries. Make sure recovery tank is empty before opening (Figure 20).



FIG. 20

4. Before charging batteries, check fluid level (A) in each battery cell. If battery plates (B) are exposed, add just enough distilled water to cover plates, level (A). Never add acid to batteries. DO NOT overfill. Batteries can overflow during charging due to expansion. Do not charge batteries unless fluid is slightly covering battery plates (B). Replace cell caps before charging (Figure 21).

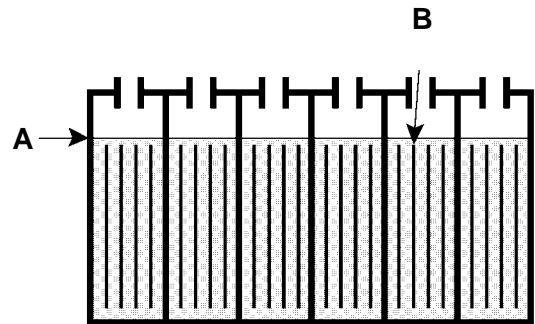


FIG. 21

5. With charger's power supply cord unplugged, connect battery charger to machine. Flip up tank support stand and rest tank on stand (Figure 22).



FIG. 22

6. Plug battery charger cord into a grounded wall outlet (Figure 23).

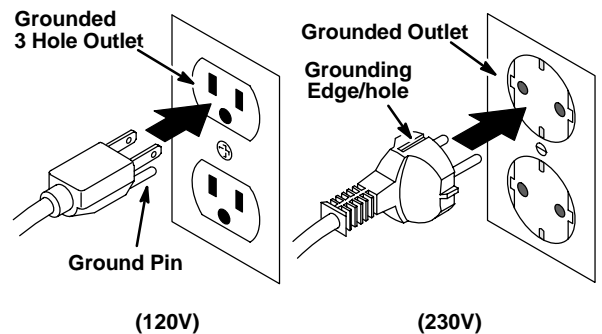


FIG. 23

OPERATION

7. Charger will automatically begin charging and automatically shut off when fully charged.
8. After charger has turned off, unplug from wall outlet first then disconnect charger from machine.
9. Recheck battery fluid level **after** charging. If needed, add distilled water to bring level of fluid to bottom of sight tubes. Be certain to replace cell caps securely and to wipe off the top of batteries with a clean cloth.

MACHINE MAINTENANCE

To keep machine in good working condition, simply follow daily, weekly and monthly maintenance procedures.

FOR SAFETY: Before leaving or servicing machine, stop on level surface and turn off machine.

FOR SAFETY: When servicing machine, disconnect battery connections before working on machine.

ATTENTION: Contact an Authorized Service Center for machine repairs. Machine repairs performed by other than an authorized person will void your warranty.

DAILY MAINTENANCE (Every 4 Hours of Use)

1. Remove and clean pads or brushes. Never use soiled pads when cleaning. Replace pads when they become loaded with residue.
2. Remove and clean lint from float shut-off screen located in recovery tank (*Figure 24*).



FIG. 24

3. Drain and rinse tanks thoroughly. After draining tanks, hinge recovery tank until you can see vacuum intake hole at rear of tank. Remove any clogging debris in hole if necessary.
4. Raise squeegee and wipe it down with a dry cloth. Store squeegee in the up position to prevent squeegee damage.
5. Clean machine housing with a nonabrasive, non-solvent cleaner.
6. Recharge batteries if needed.

WEEKLY MAINTENANCE (Every 20 Hours of Use)

1. Check water level in battery cells. (*See BATTERY MAINTENANCE*).
2. Clean battery tops to prevent corrosion.
3. Check for loose or corroded battery cables.

MONTHLY MAINTENANCE (Every 80 Hours of Use)

1. Flush solution system. Pour 11.3 liters (3 gal) of hot water, 60°C (140°F) max. temperature, into solution tank. Add an acetic acid solution according to mixing instructions. Over a floor drain, operate machine for 30 seconds. Turn machine off and leave overnight. Next day, disperse solution and rinse solution system.

FOR SAFETY: When using machine, follow mixing and handling instructions on chemical containers.

2. Check drive chain for excess slack and lubricate with a water resistant grease. If chain needs tightening, see *DRIVE CHAIN MAINTENANCE*.
3. Lubricate axle and caster grease fittings with a water resistant grease.
4. Lubricate all linkage pivot points with silicone spray then coat with a water resistant grease to maintain a smooth operation.
5. Check machine for water leaks and loose nuts and bolts.

QUARTERLY MAINTENANCE (Every 250 Hours of Use)

1. Check drive and brush motors for carbon brush wear, replace brushes if worn.
2. Check vacuum motor for carbon brush wear, replace brushes when worn to a length of 10 mm (0.38 in) or less.

BATTERY MAINTENANCE

⚠ WARNING: Batteries emit hydrogen gas. Explosion or fire can result. Keep sparks and open flame away. Keep battery compartment open when charging.

FOR SAFETY: When servicing machine, wear protective gloves when handling batteries or battery cables. Avoid contact with battery acid.

1. Always follow proper charging instructions. (See *BATTERY CHARGING*)
2. Each week **after** charging, check water level (A) in each battery cell of all batteries. Water level should reach bottom of sight tubes (B). If needed, add just enough distilled water to reach bottom of sight tubes. **DO NOT** overfill (*Figure 25*).

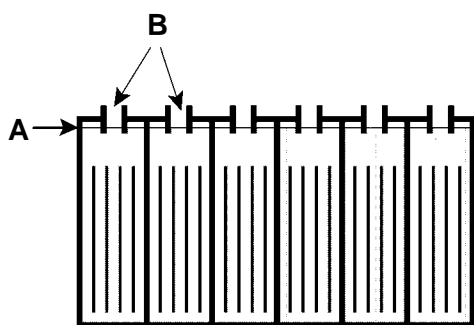


FIG. 25

3. Keep battery tops and terminals clean and dry.
To clean batteries:
 - a. Mix a strong solution of baking soda and water.
 - b. Brush solution sparingly over battery tops, terminal and cable connectors.

NOTE: Do not allow baking soda solution to enter battery cells.

 - c. Use wire brush to clean terminal post and cable connections.
 - d. After cleaning, apply a coating of clear battery post protectant to terminals and cable connections.
4. Check for loose or worn cables. Replace if worn.

DRIVE CHAIN MAINTENANCE

Inspect drive chain periodically for proper tension. Chain should flex between 6.35mm (0.25 in) and 12.7mm (0.50 in) from center. If chain flexes more than 12.7mm (0.50 in), chain should be tightened. To tighten chain, follow steps below:

1. Turn machine power off.
2. From operators right side of machine, locate and loosen 4 motor mount bolts, do not remove bolts.
3. Loosen locking nut on tension bolt (*Figure 26*).

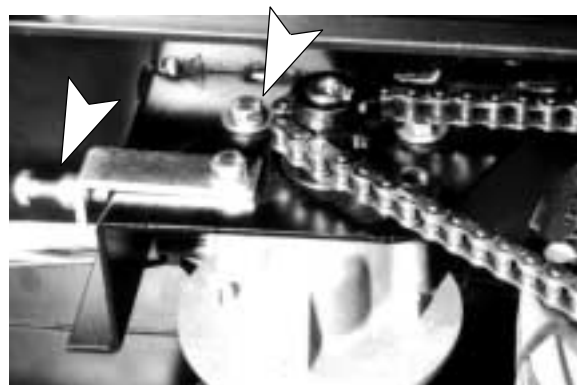


FIG. 26

4. Turn tension bolt clockwise until chain is taut.
5. Retighten locking nut and 4 motor mount screws.
6. Lubricate chain with a water resistant oil.

OPERATION

TRANSPORTING MACHINE

When transporting machine by use of trailer or truck, be certain to follow tie-down procedures below:

FOR SAFETY: When using machine, go slow on inclines and slippery surfaces.

1. Remove squeegee from machine and raise brush head. Leave pad or brush installed.
2. Load machine using a recommended loading ramp.
3. Position front of machine up against front of trailer of truck. Once machine is positioned, lower brush head.
4. Place a block behind the drive wheel and the rear casters.
5. Place tie-down straps over top of machine and secure straps to floor. It may be necessary to install tie-down brackets to the floor of your trailer or truck.


STORING MACHINE

1. Before storing machine, be certain to flush tanks and drain machine of all water.
2. Store machine in a dry area with squeegee removed and pad driver in the raised position.
3. Remove recovery lid to promote air circulation.
4. When storing machine for short periods, raise pad driver and squeegee off floor to prevent damage.

ATTENTION: If storing machine in freezing temperatures, be certain to drain machine of all water. Damage due to freezing temperatures is not covered by warranty.

RECOMMENDED STOCK ITEMS

Refer to the Parts List section for recommended stock items. Stock Items are clearly identified with a bullet preceding the parts description. See example below:



Ref.	Part No.	Description	Qty.
1	201183	*BUSH, STANDPIPE	1
2	166513	*FLCAT, BRUSHOFF	1
3	226187	WHEEL	1
4	201714	*GASKET	1
5	218249	NUT, FLANGED	1

TROUBLE SHOOTING

PROBLEM	CAUSE	SOLUTION
No power, nothing runs.	Batteries need charging.	See CHARGING BATTERIES.
	Faulty battery(s).	Replace battery(s).
	Loose battery cable.	Tighten loose cable.
	Battery connection is improper.	See BATTERY INSTALLATION.
	Faulty main switch	Contact Service Center.
	Main Power circuit breaker has tripped.	Determine cause and reset circuit breaker button.
Brush motor does not run.	Brush circuit breakers have tripped, or has been pulled out.	Clean or change to a less aggressive pad. Also, release brush pressure lever if it's in the up position. Reset breaker button.
	Loose wire connection.	Contact Service Center.
	Drive roll grips are not twisted.	Drive roll grips must be twisted to activate brushes.
	Faulty brush motor or wiring.	Contact Service Center.
	Faulty brush switch.	Contact Service Center.
	Carbon brushes worn.	Contact Service Center.
	Faulty solenoid.	Contact Service Center.
Vacuum motor does not run.	Vacuum circuit breaker has tripped.	Remove obstruction and reset breaker.
	Faulty vacuum switch.	Contact Service Center.
	Faulty wiring.	Contact Service Center.
	Faulty vacuum motor.	Contact Service Center.
	Faulty solenoid.	Contact Service Center.
	Carbon brushes worn.	Contact Service Center.
Short run time.	Batteries not fully charged.	Charge batteries.
	Bad cell in one or more batteries.	Replace battery.
	Batteries need maintenance.	See BATTERY MAINTENANCE.
	Faulty charger.	Replace battery charger.
Poor squeegee pick up.	Recovery tank is full.	Empty recovery tank.
	Ball float shutoff screen inside recovery tank is clogged.	Remove screen and clean.
	Squeegee is clogged with debris.	Clean squeegee.
	Squeegee blades are worn.	Replace squeegee blades.
	Squeegee thumbscrews are loose.	Tighten thumbscrews.
	Vacuum hose connections are loose or hose has a hole.	Push hose cuffs firmly on connections. Replace hose if damaged.
	Vacuum hose is clogged with debris.	Remove clogged debris.
	Tank gasket is defective.	Replace gasket.

OPERATION

TROUBLE SHOOTING –continued

PROBLEM	CAUSE	SOLUTION
Poor squeegee pick up.	Recovery tank water inlet is plugged. Inlet is located at bottom of recovery tank.	Empty recovery tank and tilt it sideways to locate inlet hole, remove clogged debris.
	Drain hose plug is loose.	Tighten drain plug.
	Clear recovery tank lid is loose.	Tighten lid.
	Vacuum motor is loose.	Contact Service Center.
	Battery charge is low.	Charge batteries. Do not run machine when battery meter is in the red zone.
	Faulty vacuum motor.	Contact Service Center.
Drive motor does not run.	MAIN circuit breaker has tripped or is pulled.	Determine cause and reset breaker.
	Faulty MAIN switch.	Contact Service Center.
	Faulty speed control circuit board or connection.	Contact Service Center.
	Faulty solenoid.	Contact Service Center.
	Faulty wiring.	Contact Service Center.
	Faulty drive motor.	Contact Service Center.
	Worn carbon brushes.	Contact Service Center.
Drive motor runs, but not correctly.	Faulty potentiometer or speed control board.	Contact Service Center.
	Faulty resistor.	Contact Service Center.
Little or no solution flow.	Solution flow lever in not activated.	Push solution flow lever forward.
	Solution line or filter is clogged.	Remove hose and blow compressed air through it. Flush solution tank after each use.
	Solution valve is clogged.	Remove valve and clean. Do not scratch or damage inside of valve.
	Solution flow adjustment knob needs adjusting.	Turn solution flow knob clockwise to increase flow.
Safety lights do not work.	Flasher is burned out.	Contact Service Center.

SPECIFICATIONS

MODEL	SPEED SCRUB™ 2701	SPEED SCRUB™ 3301
LENGTH	1500 mm (59 in)	1500 mm (59 in)
WIDTH	740 mm (29 in)	890 mm (35 in)
HEIGHT	1040 mm (41 in)	1040 mm (41 in)
WEIGHT – W/ BATTERIES	352kg (760 lbs)	355kg (765 lbs)
TANKS CAPACITY	102L (27 Gal)	102L (27 Gal)
SPEED CONTROL	VARIABLE FWD/REV	VARIABLE FWD/REV
CLEANING SPEED (MAX)	2787 sq. m.(30,000 sq. ft.)/hr.	3251 sq. m. (35,000 sq. ft.)/hr.
CLEANING PATH WIDTH	680 mm (27 in)	830 mm (33 in)
PAD DIAMETER	2 – 355 mm (14 in)	2 – 430 mm (17 in)
SQUEEGEE WIDTH	965 mm (38 in)	1067 mm (42 in)
DRIVE MOTOR	.5 h.p., 0–1800 rpm, 24V, 10A	.5 h.p., 0–1800 rpm, 24V, 10A
BRUSH MOTOR	2 – .75 h.p., 220 rpm, 24V, 20A, 550W	2 – .75 h.p., 220 rpm, 24V, 20A, 550W
VACUUM MOTOR	.75 h.p., 3–stage 5.7", 24V, 21A, 550W	.75 h.p., 3–stage 5.7", 24V, 21A, 550W
WATER LIFT	1720 mm (68 in)	1720 mm (68 in)
BATTERIES	4–305A/hr, 6V deep cyc	4–305A/hr, 6V deep cyc
RUN TIME on full charge	4.76 Hours	4.76 Hours
DECIBEL RATING AT OPERATOR'S EAR, INDOORS ON TILE.	<70dB(A)	<70dB(A)

Este manual acompaña a todos los modelos estándar nuevos. En él se indican las instrucciones necesarias para la utilización y el mantenimiento de la máquina. **Lea el manual entero para comprender el funcionamiento de la máquina antes de utilizarla o revisarla.**

Esta máquina le proporcionará un servicio excelente. Sin embargo, obtendrá los mejores resultados al coste mínimo si:

- Utiliza la máquina con un cuidado razonable.
- Revisa la máquina periódicamente - según las instrucciones de mantenimiento adjuntas.
- Realiza el mantenimiento de la máquina con piezas repuesto del fabricante suministradas por o equivalentes.

DATOS DE LA MÁQUINA

Sírvase llenar los datos en el momento de la preparación para referencia en el futuro.

Modelo No.: _____

Fecha de preparación: _____

No. de serie: _____

ÍNDICE

MEDIDAS DE SEGURIDAD	20	MANTENIMIENTO DE LA CADENA DE IMPULSIÓN	32
COMPONENTES DE LA MÁQUINA	21	TRANSPORTE DE LA MÁQUINA	32
INSTALACIÓN DE LA MÁQUINA	22	ALMACENAMIENTO DE LA MÁQUINA	32
DESEMBALADO DE LA MÁQUINA	22	ARTÍCULOS RECOMENDADOS A MANTENER EN EXISTENCIA	32
FIJACIÓN DEL CONJUNTO DE LA ESCOBILLA DE GOMA	22	LOCALIZACIÓN DE AVERÍAS	33
INSTALACIÓN DE LAS BATERÍAS	22	ESPECIFICACIONES	35
PREPARACIÓN DE LA MÁQUINA	23	DIAGRAMAS ELECTRICAS	36
COMPROBACIONES PREVIAS A LA PUESTA EN FUNCIONAMIENTO	23	LISTA DE PIEZAS	38
INSTALACIÓN DE LOS CEPILLOS O DE LOS IMPULSORES DE LAS ALMOHADILLAS ...	23	CEPILLO DEL REEMPLAZO Y GRUPO DEL MANDO DE LA ALMOHADILLA	38
LLENADO DEL DEPÓSITO DE LA DISOLUCIÓN	25	CONJUNTO DESPOSITO RECUPERAR ...	40
FUNCIONAMIENTO DE LA MÁQUINA	25	CONJUNTO TELAIO	42
DURANTE LA UTILIZACIÓN DE LA MÁQUINA	26	CONJUNTO CONSOLA DE CONTROLES ..	44
CORTACIRCUITOS	27	CONJUNTO DE PALANCAS	46
VACIADO DE LOS DEPÓSITOS	28	CONJUNTO CONSOLA ELÉCTRICO	48
VACIADO DEL DEPÓSITO DE RECUPERACIÓN	28	CONJUNTO RUEDA DE MANDO	50
VACIADO DEL DEPÓSITO DE LA DISOLUCIÓN	28	ACCIONAMIENTO DEL CEPILLO Y GRUPO DE MANGUERA DE SOLUCION	52
CARGA DE LAS BATERÍAS	29	CONJUNTO JUEGO	54
MANTENIMIENTO DE LA MÁQUINA	30	GRUPO DE CONTROL DE LA ESCOBILLA DE GOMA	56
MANTENIMIENTO DIARIO	30	CONJUNTO ENJUGADOR ENCORUADO ..	58
MANTENIMIENTO SEMANAL	30	OPCIONES	60
MANTENIMIENTO MENSUAL	31	ES™ JUEGO	60
MANTENIMIENTO TRIMESTRAL	31	GROUPE D'ASPIRATION ET RACLETTE À MAIN	62
MANTENIMIENTO DE LA BATERÍA	31		

MEDIDAS DE SEGURIDAD

Esta máquina ha sido diseñada para barrer suelos de recintos cerrados y no debe utilizarse para ningún otro uso.

Use solamente las almohadillas y las soluciones de limpieza recomendadas.

Cualquier persona que use esta máquina debe leer, comprender y poner en práctica las siguientes precauciones de seguridad:

⚠ ADVERTENCIA: Para advertir sobre riesgos o hábitos peligrosos que podrían causar lesiones corporales graves o fatales.

PARA SU SEGURIDAD: Para indicar las operaciones que deben realizarse para una utilización segura del equipo.

La siguiente información indica las condiciones potencialmente peligrosas para el equipo o el operario del mismo.

PARA SU SEGURIDAD:

1. NO UTILICE, REVISE O REPARE LA MÁQUINA:

- Salvo que esté adecuadamente entrenado y autorizado para ello.
- Salvo que haya leído y comprendido el manual del operario.
- Cuando la máquina no esté en buenas condiciones de funcionamiento.

2. AL UTILIZAR LA MÁQUINA:

- Retire los objetos sueltos que se encuentren en el suelo puesto que podrían convertirse en peligrosos proyectiles al chocar contra los cepillos o almohadillas en movimiento.
- Mantenga pies y manos alejados de los cepillos y almohadillas giratorios
- Mantenga la máquina en movimiento para evitar que el suelo o su acabado se deterioren.
- No utilice la máquina donde existan líquidos y gases inflamables.
- No utilice la máquina en pendiente a menos que esté presente el personal adecuado para ayudarle.

3. ANTES DE ESTACIONAR O REVISAR LA MÁQUINA

- Asegúrese de que la máquina esté apagada, o tire hacia fuera del botón del cortacircuitos principal (MAIN).
- Desconecte las baterías.

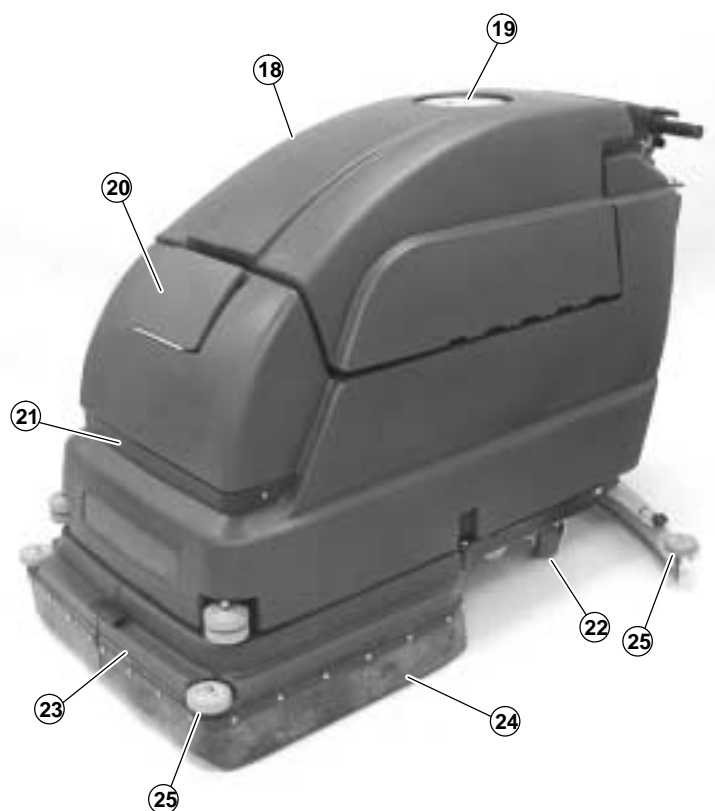
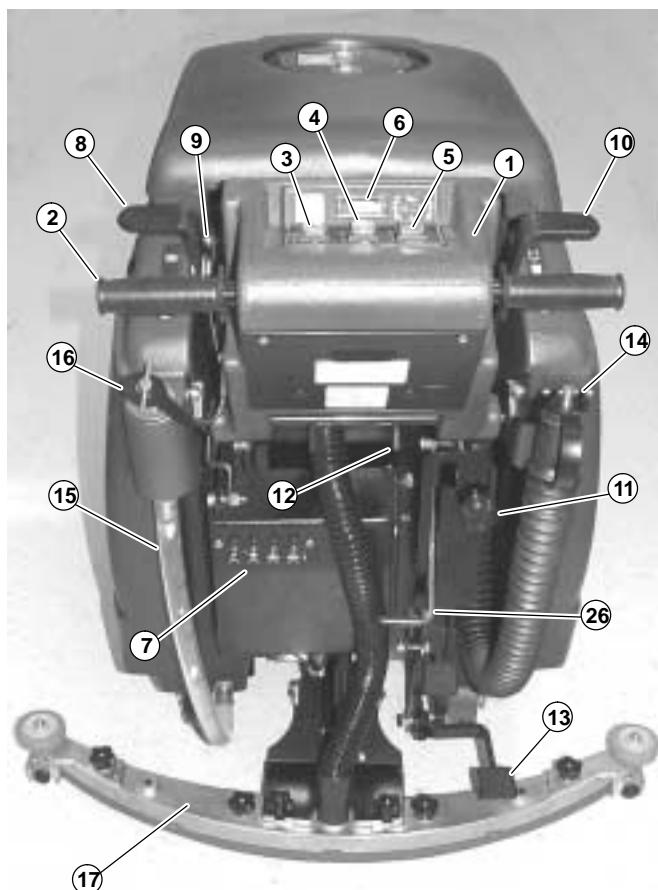
⚠ ADVERTENCIA: Alta tensión. Riesgo de electrocución o descarga eléctrica. Desconecte siempre las baterías antes de revisar la máquina.

⚠ ADVERTENCIA: Las baterías emiten gases de hidrógeno que pueden provocar explosiones o incendios. Manténgalas alejadas de chispas y fuego.

⚠ ADVERTENCIA: Cargue las baterías en una zona bien ventilada y mantenga abiertas las cubiertas de la batería. Existe peligro de explosión o fuego.

⚠ ADVERTENCIA: El ácido de la batería puede causar quemaduras. Utilice guantes protectores y protéjase los ojos al revisar las baterías.

COMPONENTES DE LA MÁQUINA



- 1. Panel de control
- 2. Mandos giratorios de control
- 3. Interruptor principal (MAIN) y de Encendido/Apagado de la transmisión
- 4. Interruptor de Encendido/Apagado (ON/OFF) de la aspiración
- 5. Interruptor de Encendido/Apagado (ON/OFF) del cepillo
- 6. Indicador del nivel de carga de la batería
- 7. Cortacircuitos
- 8. Palanca de elevación de la escobilla de goma
- 9. Palanca de liberación de la escobilla de goma
- 10. Palanca del flujo de la disolución
- 11. Botón de ajuste del flujo de la disolución
- 12. Palancas de ajuste del panel de control

- 13. Pedal para elevar el cepillo
- 14. Manguera de vaciado del depósito de recuperación
- 15. Manguera de vaciado del depósito de recuperación con indicación en galones
- 16. Puerta trasera de llenado
- 17. Conjunto de la escobilla de goma
- 18. Depósito de recuperación
- 19. Tapa del depósito de recuperación
- 20. Puerta de relleno de la disolución
- 21. Luces de seguridad
- 22. Ruedecillas traseras
- 23. Soporte de la aleta
- 24. Aleta del cabezal de fregado
- 25. Rodillos de pared
- 26. Palanca de presión del cepillo

OPERACIÓN

INSTALACIÓN DE LA MÁQUINA

DESEMBALADO DE LA MÁQUINA

Compruebe cuidadosamente si la caja de cartón está deteriorada. En caso de que así sea informe inmediatamente de los daños al transportista. Controle el contenido de la caja para asegurarse de que incluye todos los accesorios. La escobilla de goma está embalada con la máquina. Las baterías y su cargador y los impulsores de las almohadillas están embalados aparte.

ATENCIÓN: La instalación de las baterías debe realizarse después de desembalar totalmente la máquina.

Para desembalar la máquina retire las cintas y eleve el cabezal de barrido. Para elevar este cabezal pise firmemente sobre la parte inferior del pedal de elevación del cepillo hasta que dicho pedal quede bloqueado en la posición elevada. Levante la máquina con cuidado o utilice una rampa formada con las planchas de embalaje para retirar la máquina del pallet.

ATENCIÓN: No retire la máquina del pallet haciéndola rodar porque podría averiarla.

FIJACIÓN DEL CONJUNTO DE LA ESCOBILLA DE GOMA

1. Tire hacia atrás de la palanca de elevación de la escobilla de goma para elevar el soporte de la escobilla de goma.
2. Afloje los dos tornillos de orejas de la escobilla de goma e introduzca dicha escobilla deslizándola en las ranuras de la parte posterior del soporte de la escobilla de goma. Asegúrese de que las ruedas del rodillo de la escobilla de goma se encuentran hacia atrás (Figura 1).

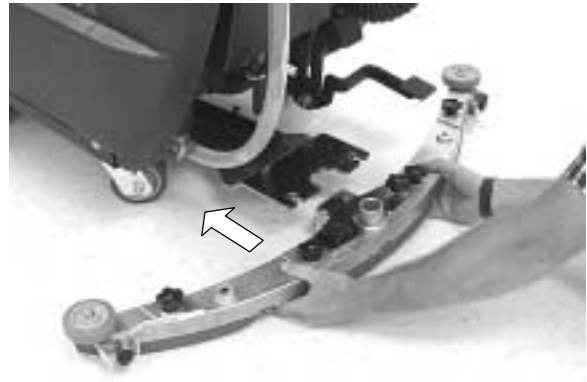


FIG. 1

3. Fije los tornillos de orejas.

INSTALACIÓN DE LAS BATERÍAS

⚠ ADVERTENCIA: Las baterías emiten gases de hidrógeno que pueden causar explosiones o incendios. Manténgalas alejadas de chispas y fuego.

⚠ ADVERTENCIA: El ácido de la batería puede causar quemaduras. Utilice guantes protectores y protéjase los ojos al revisar las baterías.

Especificaciones de la batería:

Cuatro baterías de 6 voltios, de ciclo profundo, de 305 amp-hora; pieza Nobles número 130870. Las dimensiones máximas de las baterías son 178 mm (7 plg) de ancho x 308 mm (12-1/8 plg) de largo x 356 mm (14 plg) de alto.

1. Coloque todos los interruptores en la posición de apagado (OFF) y tire hacia fuera del botón del cortacircuitos principal (MAIN) (Figura 2).

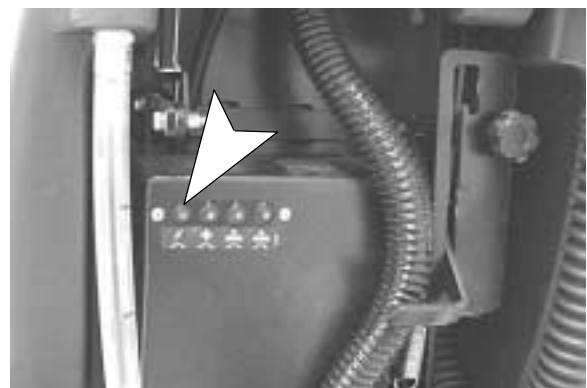


FIG. 2

ATENCIÓN: Para evitar que los motores arranquen accidentalmente, asegúrese de tirar hacia fuera del botón del cortacircuitos principal (MAIN) antes de instalar las baterías.

- Abra lateralmente y con cuidado el depósito de recuperación girándolo sobre la bisagra para poder acceder al compartimento de la batería. Extraiga del compartimento los cables sueltos de la batería (Figura 3).



FIG. 3

- Instale cuidadosamente las baterías en el compartimento y coloque los bornes de la batería como se indica (Figura 4).

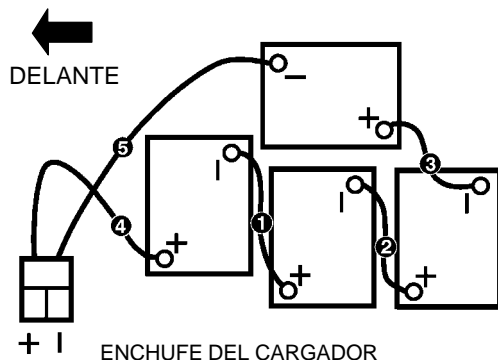


FIG. 4

ATENCIÓN: ¡No deje caer las baterías en el compartimento! Tanto la batería como su soporte podrían averiarse. La garantía no cubre este tipo de desperfectos.

- Conecte los cables a los bornes de la batería en el orden numérico indicado en la etiqueta (ROJO EN EL POSITIVO Y NEGRO EN EL NEGATIVO) (Figura 4).
- Vuelva a comprobar la conexión de los cables antes de cerrar el compartimento de la batería.
- Oprima el botón del cortacircuitos principal (MAIN) para restablecerlo.
- Coloque el interruptor principal (MAIN) en la posición de encendido y revise el indicador de nivel de carga de las baterías para asegurarse de que estén totalmente cargadas. Si es necesario recargar las baterías, consulte la sección CARGA DE BATERÍAS.

PREPARACIÓN DE LA MÁQUINA

COMPROBACIONES PREVIAS A LA PUESTA EN FUNCIONAMIENTO

- Barra el suelo para eliminar partículas y otros restos.
- Controle el nivel de carga de la batería para asegurarse de que las baterías estén completamente cargadas. (Consulte CARGA DE LAS BATERÍAS).
- Controle que están instalados los cepillos o almohadillas.
- Controle que está instalada la escobilla de goma.

INSTALACIÓN DE LOS CEPILLOS O DE LOS IMPULSORES DE LAS ALMOHADILLAS

- Coloque el interruptor principal (MAIN) en la posición de apagado y tire hacia fuera del botón del cortacircuitos principal (MAIN).

ATENCIÓN: Para evitar que la máquina comience a funcionar accidentalmente, tire hacia fuera del botón del cortacircuitos principal (MAIN) antes de instalar los impulsores de las almohadillas. El botón del cortacircuitos principal (MAIN) está en la parte posterior de la consola de control.

OPERACIÓN

2. Eleve el cabezal del cepillo, pise con fuerza la parte inferior del pedal de elevación del cepillo para elevarlo (Figura 5).



FIG. 5

3. Suelte el enganche negro de la parte delantera de la máquina y abra la bisagra del soporte de la aleta para acceder al cubo del motor (Figura 6).



FIG. 6

4. Seleccione el cepillo o la almohadilla recomendados que mejor se adapte a sus necesidades de limpieza.

IMPORTANTE: Consulte a su distribuidor autorizado para la elección del cepillo o de la almohadilla adecuados para su caso específico.

5. **(Instalación de la almohadilla)** Fije las almohadillas a los impulsores de la almohadilla antes de conectar dichos impulsores al cubo del motor. Para fijar la almohadilla a su impulsor retire el cierre central de plástico del impulsor de la almohadilla. Coloque la almohadilla en el centro del impulsor de la almohadilla y vuelva a colocar y fijar el cierre central (Figura 7).



FIG. 7

6. Conecte los impulsores del cepillo/de la almohadilla a los cubos del motor. Alinee los (3) pernos de montaje con las ranuras del cubo del motor. Gire rápidamente el impulsor hacia el sujetador de resorte del cubo del motor. Asegúrese de que el impulsor de la almohadilla esté bien sujeto y que el sujetador de resorte se introduzca en uno de los pernos del impulsor antes de poner la máquina en funcionamiento (Figura 8).

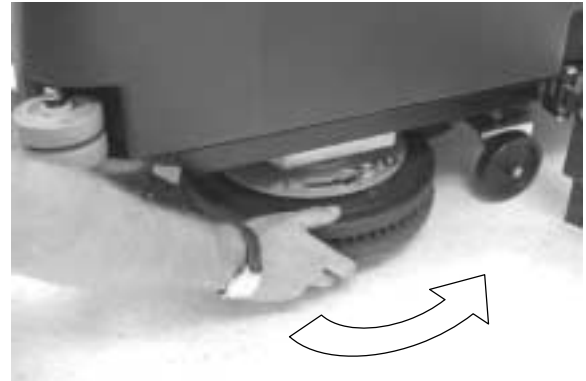


FIG. 8

NOTA: Asegúrese siempre de que las superficies del impulsor de la almohadilla y del cubo del motor estén limpias antes de instalar los impulsores. El mantener las superficies limpias facilitará la extracción de los impulsores de las almohadillas.

7. Cierre el soporte de la aleta y ajuste de nuevo el enganche.

LLENADO DEL DEPÓSITO DE LA DISOLUCIÓN

1. Empuje o dirija la máquina a la estación de llenado. Levante la escobilla de goma y el cepillo durante el transporte.
2. Cierre del flujo de la disolución: Tire totalmente hacia atrás de la palanca del flujo de la disolución (Figura 9).



FIG. 9

3. Abra la puerta de llenado de la disolución que se encuentra en la parte delantera de la máquina y llene el depósito de la disolución con agua limpia (temperatura máxima de 60°C) o puede llenar el depósito de la disolución utilizando el orificio de llenado de la parte trasera de la máquina. Desenrosque el tapón e introduzca la manguera para llenar el depósito. El tubo transparente que se encuentra debajo del orificio de llenado tiene marcas cada 19 litros para indicar el volumen de agua del depósito (Figura 10).



FIG. 10

NOTA: Si utiliza un cubo para llenar el depósito, asegúrese de que dicho cubo esté limpio para evitar que se obstruyan las tuberías de la disolución.

4. Añada la cantidad de limpiador químico indicada en la botella para obtener la disolución correcta.

ATENCIÓN: Utilice únicamente productos de limpieza recomendados, NO utilice sustitutos. Consulte a un distribuidor autorizado acerca de los productos recomendados.

⚠ ADVERTENCIA: Utilice únicamente productos químicos de limpieza no inflamables.

FUNCIONAMIENTO DE LA MÁQUINA

1. Lea y comprenda las **MEDIDAS DE SEGURIDAD** antes de poner la máquina en funcionamiento.
2. Ajuste los mandos de control a una altura de manejo cómoda (tres ajustes posibles). Presione las dos palancas que se encuentran bajo el panel para elevar o bajar los mandos de control (Figura 11).

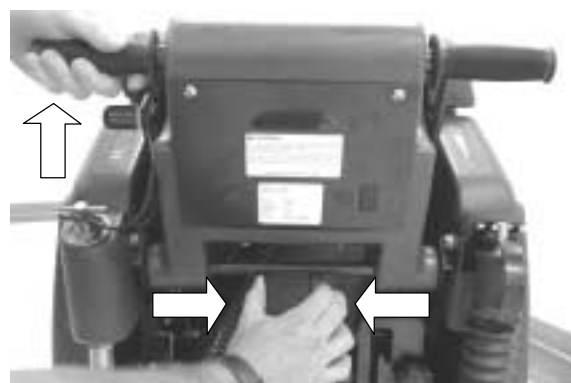


FIG. 11

3. Baje la escobilla de goma, pulse los pulsadores de la palanca de elevación de la escobilla de goma (Figura 12).



FIG. 12

OPERACIÓN

4. Bajada del cabezal del cepillo: Pise con fuerza la parte superior del pedal de elevación del cepillo y empuje dicho pedal hacia delante para liberarlo (Figura 13).

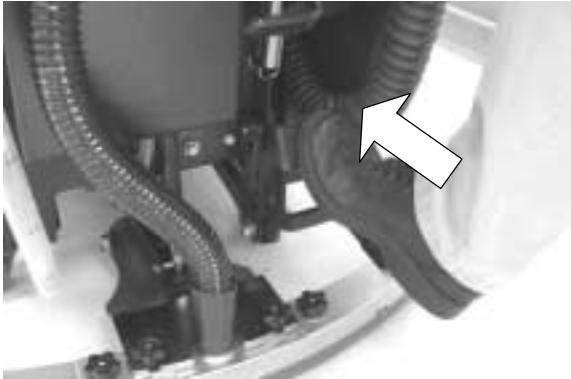


FIG. 13

5. Coloque el interruptor principal (MAIN), el de los cepillos (BRUSH) y el de aspiración (VACUUM) en la posición de encendido (ON).

NOTA: Los motores de los cepillos no arrancan hasta que se giran los mandos de control.

6. Empuje la palanca del flujo de la disolución ligeramente hacia delante para activar el paso de la disolución. Cuanto más empuje dicha palanca hacia delante mayor será el flujo de disolución. Empuje la palanca completamente para que el flujo sea máximo. La disolución empezará a fluir inmediatamente después de activar la palanca (Figura 14).



FIG. 14

NOTA: Para aumentar o disminuir el flujo máximo de la disolución gire el botón de ajuste del flujo de la disolución. Gire el botón en el sentido de las agujas del reloj para reducirlo y en sentido contrario para incrementar el flujo (Figura 15).



FIG. 15

7. Gire lentamente los mandos giratorios de control hacia delante para comenzar la operación de barrido. Cuanto más gire los mandos más velocidad ganará la máquina. Para desplazar la máquina marcha atrás basta girar los mandos hacia atrás.

ATENCIÓN: Arranque siempre la máquina a baja velocidad para evitar que salga despedida.

8. Controle la cantidad de flujo de disolución en el suelo y ajuste la palanca de control de la disolución para la cantidad de flujo de la disolución deseada.

DURANTE LA UTILIZACIÓN DE LA MÁQUINA

⚠ ADVERTENCIA: Mantenga manos y pies alejados del cepillo o la almohadilla en movimiento.

1. Compruebe periódicamente que no exista acumulación de espuma en el depósito de recuperación (mire a través de la tapa transparente). Si la acumulación de espuma empieza a ser excesiva, añada un producto desespumante recomendado al contenido del depósito de recuperación.

ATENCIÓN: No permita que el agua o la espuma se introduzcan en el tubo vertical de aspiración porque podría averiar el motor de aspiración. El flotador de cierre no evitará la entrada de espuma en el tubo vertical de aspiración. La garantía no cubre la avería de la aspiración causada por la entrada de agua o espuma.

2. Cuando sea necesaria una mayor presión de fregado para limpiar pequeñas áreas muy sucias, siga los siguientes pasos:
 - a. Baje el cepillo.
 - b. Levante la palanca de presión del cepillo hasta que quede bloqueada. (Figura 16)

NOTA: El cepillo **DEBE** estar bajado para poder elevar la palanca de la presión del cepillo hasta la posición de bloqueo. No deje la palanca en esta posición cuando los cepillos estén elevados.



FIG. 16

3. Si la escobilla de goma deja marcas, eleve la escobilla de goma y limpie las láminas con un paño. Barra la zona con anterioridad para evitar la formación de marcas.
4. Antes de detener o girar la máquina, tire hacia atrás de la palanca de control de la disolución para detener el paso de disolución.
5. Durante las paradas cortas no es necesario apagar el interruptor del cepillo; el cepillo se detendrá automáticamente al soltar los mandos de control.
6. Controle la disolución que queda en el depósito de la disolución durante la operación de limpieza a través del tubo indicador transparente. Cada marca de la manguera indica 19 litros.
7. Controle periódicamente el nivel de carga de la batería. Recargue las baterías cuando la aguja se encuentre en la zona roja.

ATENCIÓN: No siga utilizando la máquina cuando la aguja del indicador de carga de la batería se encuentre en la zona roja porque podría dañar la batería.

8. Cuando se vacíe el depósito de la disolución, apague el interruptor del cepillo, cierre el flujo de la disolución mediante la palanca del flujo de la disolución y continúe aspirando hasta que todo el agua sucia se introduzca en el depósito de recuperación. A continuación vacíe el depósito de recuperación. (Consulte el apartado de VACIADO DE LOS DEPÓSITOS)

CORTACIRCUITOS

Se equipa la máquina con (4) cortacircuitos para proteger los motores contra daños. Si se abre algún cortacircuitos, no es posible restablecerlo (cerrarlo) de inmediato. Determine la razón por la que se abrió, permita que el motor se enfríe y luego restablezca el cortacircuitos. Los cortacircuitos de los motores de los cepillos se abren debido a alguna sobrecarga excesiva en las almohadillas. En caso que el cortacircuitos llegara a abrirse, limpie o cambie la almohadilla afectada. Los botones de los cortacircuitos están en la parte posterior de la máquina, como se muestra en la Figura 17.

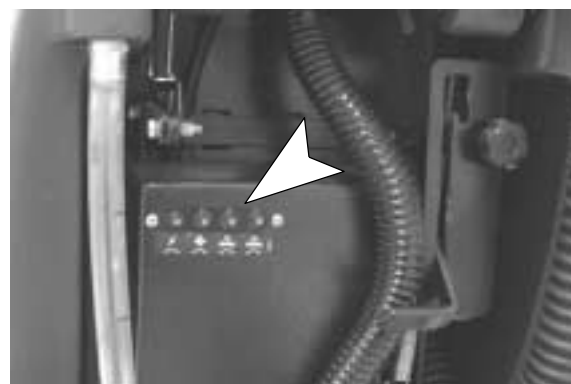


FIG. 17

ATENCIÓN: Si está realizando cualquier tipo de servicio en la máquina, tire hacia fuera del botón del cortacircuitos principal (MAIN). Esto evita que algún motor llegue a funcionar accidentalmente mientras le esté dando servicio a la máquina.

ATENCIÓN: Tire hacia fuera del botón del cortacircuitos principal (MAIN) si no le está poniendo atención a la máquina. De esta forma se apaga por completo la máquina y se evita que la use alguna persona no autorizada.

OPERACIÓN

VACIADO DE LOS DEPÓSITOS

ATENCIÓN: Levante la escobilla de goma y el cepillo al transportar la máquina a la zona de vaciado. Apague la máquina antes de realizar la operación de vaciado.

VACIADO DEL DEPÓSITO DE RECUPERACIÓN

El depósito de recuperación debe vaciarse antes de rellenar el depósito de la disolución. Para vaciar el depósito de recuperación realice los siguientes pasos:

ATENCIÓN: Si el depósito de recuperación no se vacía entre las diferentes operaciones de llenado, puede introducirse espuma y agua en al tubo vertical de aspiración y averiar el motor de aspiración. La garantía no cubre las averías del motor de aspiración causadas por la introducción de agua o espuma.

1. Retire la manguera de vaciado de su soporte, coloque la manguera en el desagüe del suelo y desenrosque el tapón de la manguera de vaciado. Para vaciar completamente el depósito de recuperación, desplace dicho depósito lateralmente girándolo sobre la bisagra, monte el soporte del depósito y coloque el depósito sobre dicho soporte (Figura 18).

NOTA: Si utiliza un cubo para vaciar la máquina, no utilice el mismo cubo para llenar el depósito de la disolución.



FIG. 18

2. Aclare el depósito de recuperación después de cada uso. Esto evitará malos olores. Destornille la tapa transparente del depósito de recuperación. Utilice una manguera para aclarar el depósito de recuperación. Tenga cuidado de no introducir agua en el flotador de cierre.
3. Cierre de nuevo el tapón de la manguera de vaciado cuando el depósito esté vacío.

VACIADO DEL DEPÓSITO DE LA DISOLUCIÓN

Para vaciar los restos de disolución del depósito de la disolución haga lo siguiente:

1. Extraiga la lengüeta de la manguera transparente con marcas de la parte posterior de la máquina tirando de ella y vacíe la disolución limpiadora en el desagüe o en un cubo (Figura 19).



FIG. 19

2. Aclare el depósito de la disolución con agua limpia después de cada uso y aclare el sistema de tuberías de la disolución empujando la palanca del flujo de disolución hacia delante. Esto evitará obstrucciones debidas a la acumulación de productos químicos. Utilice la manguera transparente para vaciar el depósito de la disolución.
3. Conecte de nuevo la manguera transparente a la lengüeta de la manguera. Asegúrese de que la manguera está bien introducida en la lengüeta de la manguera.

CARGA DE LAS BATERÍAS

Las instrucciones de carga mostradas a continuación son exclusivamente para los cargadores Nobles. Si no dispone de un cargador de baterías Nobles, utilice un cargador con las características que se nombran a continuación para evitar el deterioro de las baterías.

CARACTERÍSTICAS DEL CARGADOR

- VOLTAJE DE SALIDA 24 VOLTIOS
- CORRIENTE DE SALIDA 25 AMP
- CIRCUITO DE CIERRE AUTOMÁTICO
- CARGA PARA BATERÍAS DE PLOMO CON ÁCIDO DE CICLO PROFUNDO

La vida útil de una batería está determinada por el número de cargas recibidas. Para que los resultados de las baterías sean óptimos, recárguelas cuando la aguja del indicador de nivel de carga de la batería se encuentre en la zona roja. Nunca deje las baterías descargadas.

ATENCIÓN: No continúe utilizando una máquina cuando la aguja del indicador de nivel de carga de la batería se encuentre en la zona roja o podría dañar la batería.

⚠ ADVERTENCIA: Las baterías emiten gases de hidrógeno que pueden provocar explosiones o incendios. Manténgalas alejadas de chispas y fuego.

PARA SU SEGURIDAD: Protégase los ojos al revisar las baterías y evite el contacto con el ácido de las baterías.

1. Dirija la máquina a una zona bien ventilada para cargar las baterías.
2. Apague la máquina.
3. Desplace el depósito de recuperación lateralmente sobre la bisagra para tener acceso a las baterías (Figura 20).



FIG. 20

4. Controle el nivel de agua (A) en cada elemento de la batería. No cargue las baterías salvo que el agua cubra ligeramente las placas (B) de la batería. En caso necesario añada el agua destilada justo necesaria para que las placas se cubran ligeramente. NO llene la batería excesivamente. El agua de las baterías puede derramarse durante la carga de las mismas debido a la expansión. Coloque los tapones de los elementos antes de cargar (Figura 21).

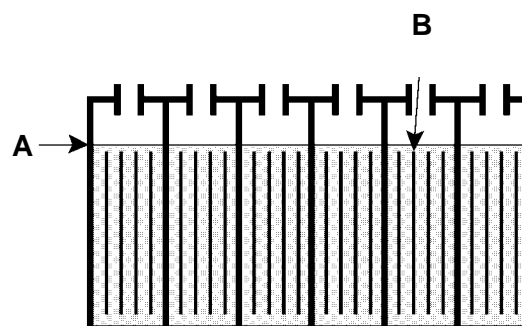


FIG. 21

5. Enchufe el cargador en el receptáculo del cargador situado cerca del compartimento de la batería. Monte el soporte del depósito y coloque el depósito sobre el mismo (Figura 22).



FIG. 22

OPERACIÓN

6. Enchufe el cargador en un enchufe de pared con toma de tierra después de conectar el cargador a la máquina (Figura 23).

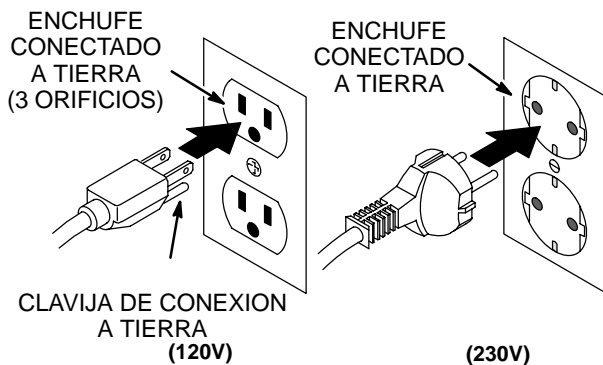


FIG. 23

7. El cargador empezará a cargar automáticamente y se detendrá cuando la batería esté totalmente cargada.
8. Una vez apagado el cargador, desenchúfelo primero del enchufe de la pared y a continuación desconéctelo de la máquina.
9. Vuelva a controlar el nivel del líquido de la batería después de cargarla. En caso necesario añada agua destilada para que el nivel del líquido alcance la parte inferior de los tubos. Asegúrese de volver a colocar bien las tapas de los elementos y limpie la parte superior de las baterías con un paño limpio.

MANTENIMIENTO DE LA MÁQUINA

⚠ ADVERTENCIA: Alta tensión. Riesgo de electrocución o descarga eléctrica. Desconecte siempre las baterías antes de revisar la máquina.

Para mantener la máquina en buenas condiciones de funcionamiento bastará realizar las siguientes operaciones de mantenimiento diaria, semanal o mensualmente.

MANTENIMIENTO DIARIO

1. Retire y limpie los cepillos o almohadillas. No utilice nunca almohadillas sucias durante las operaciones de limpieza. Sustituya las almohadillas cuando estén cargadas de residuos.
2. Retire y limpie la suciedad y las pelusas del filtro del flotador situado en el depósito de recuperación. (Figura 24)



FIG. 24

3. Vacíe y limpie los depósitos en profundidad. Después de aclarar los depósitos, desplace lateralmente el depósito de recuperación sobre su bisagra hasta poder ver el orificio de entrada de la aspiración situado en la parte posterior del depósito. En caso necesario retire los restos que puedan bloquear dicho orificio.
4. Levante la escobilla de goma y límpiela con un paño seco. Guarde la escobilla de goma en la posición elevada para evitar que resulte dañada.
5. Limpie el bastidor de la máquina con un limpiador no abrasivo que no contenga disolventes.
6. Recargue las baterías en caso necesario.

MANTENIMIENTO SEMANAL

1. Aclare los depósitos y el sistema de tuberías de la disolución. Haga una disolución con 946 ml de vinagre y 11,3 litros de agua. Aclare posteriormente con agua limpia.
2. Controle el nivel del agua de los elementos de la batería. (Consulte el apartado de MANTENIMIENTO DE LAS BATERÍAS)
3. Limpie la parte superior de la batería para evitar la formación de corrosión.
4. Controle si los cables de la batería están sueltos u oxidados.

MANTENIMIENTO MENSUAL

1. Controle si la tensión de la cadena de impulsión es la apropiada y lubríquela con una grasa impermeable. Si necesita tensar la cadena consulte el apartado de MANTENIMIENTO DE LA CADENA DE IMPULSIÓN.
2. Lubrique los puntos de ajuste y el eje de la ruedecilla con una grasa impermeable.
3. Lubrique la conexión de los puntos pivotantes con un spray de silicona y cúbrala a continuación con una grasa impermeable para mantener un funcionamiento suave.
4. Controle que la máquina no presente escapes de agua ni tornillos ni tuercas flojos.

MANTENIMIENTO TRIMESTRAL

1. Controle el desgaste del cepillo de carbón de los motores del cepillo. Sustituya los cepillos si están gastados.
2. Controle el desgaste del cepillo de carbón del motor de aspiración. Sustituya los cepillos cuando su longitud sea igual o inferior a 10 mm debido al desgaste.

MANTENIMIENTO DE LA BATERÍA

⚠ ADVERTENCIA: Las baterías emiten gases de hidrógeno que pueden provocar explosiones o incendios. Manténgalas alejadas de chispas y fuego.

PARA SU SEGURIDAD: Protéjase los ojos al revisar baterías, evite el contacto con el ácido de las baterías y mantenga los objetos de metal alejados de la parte superior de las baterías.

1. Siga siempre las instrucciones de carga apropiadas. (Consulte el apartado de CARGA DE LAS BATERÍAS).

2. Controle el nivel de agua (A) de cada elemento de todas las baterías después de la carga semanal de la batería. El nivel del agua debe alcanzar la parte inferior de los tubos (B). En caso necesario añada agua destilada hasta que el nivel del líquido alcance la parte inferior de los tubos. NO los llene demasiado. (Figura 25)

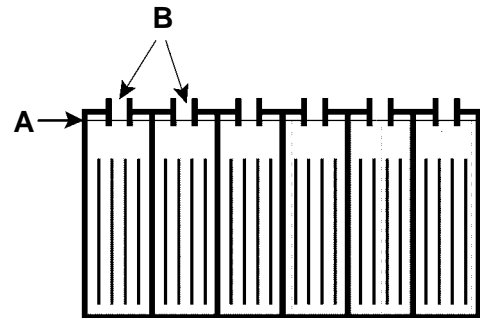


FIG. 25

3. Mantenga la parte superior de las baterías y sus bornes limpios y secos.

Para limpiar las baterías:

- a. Haga una disolución concentrada de bicarbonato y agua.
- b. Rocíe ligeramente la parte superior de la batería, sus bornes y conectores con esta disolución para limpiarlos.

NOTA: No permita que la disolución de agua con bicarbonato se introduzca en los elementos de las baterías.

- c. Utilice un cepillo con cerdas de alambre para limpiar los bornes del terminal y las conexiones del cable.
 - d. Una vez que la batería esté limpia, aplique una capa protectora de bornes transparente a los bornes y conexiones del cable.
4. Controle si los cables están flojos o gastados. Sustitúyalos si están gastados.

OPERACIÓN

MANTENIMIENTO DE LA CADENA DE IMPULSIÓN

Controle periódicamente si la tensión de la cadena de impulsión es la correcta. La cadena debe presentar una deformación del centro de 6,35 mm a 12,7 mm. Si la cadena se deforma más de 12,7 mm debe tensar dicha cadena. Para tensar la cadena siga los pasos indicados a continuación:

1. Localice y afloje los cuatro tornillos de fijación del motor a la derecha de la máquina desde el lado del operario. No extraiga los tornillos.
2. Afloje la tuerca de bloqueo del tensor. (Figura 26)

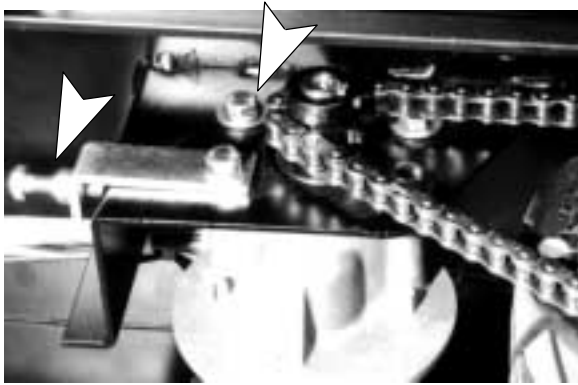


FIG. 26

3. Gire el tensor en el sentido de las agujas del reloj hasta que se tense la cadena.
4. Vuelva a apretar la tuerca de bloqueo y los 4 tornillos de fijación del motor.
5. Lubrique la cadena con aceite impermeable.

TRANSPORTE DE LA MÁQUINA

Cuando utilice un camión o remolque para transportar la máquina asegúrese de seguir los pasos siguientes para sujetar la máquina:

ATENCIÓN: No utilice la máquina en pendientes a menos que esté presente el personal adecuado para ayudarle.

1. Retire la escobilla de goma de la máquina, levante el cabezal del cepillo. Deje instalados el cepillo o la almohadilla.
2. Cargue la máquina utilizando la rampa de carga recomendada.
3. Coloque la parte delantera de la máquina contra la parte delantera del remolque o camión. Una vez colocada la máquina, baje el cabezal del cepillo.
4. Coloque un calzo detrás de la rueda tractora y de las ruedecillas traseras.

5. Pase las cintas de sujeción por la parte superior de la máquina y sujételas al suelo del remolque o camión. Puede ser necesario el instalar varios soportes de sujeción en el suelo de su camión o remolque.

ALMACENAMIENTO DE LA MÁQUINA

1. Antes de guardar la máquina asegúrese de aclarar los depósitos y vaciar el agua de la máquina.
2. Guarde la máquina en un sitio seco con las escobillas de goma quitadas y el impulsor de la almohadilla en posición elevada.
3. Retire la tapa del depósito de recuperación para facilitar la circulación de aire.
4. Cuando guarde la máquina por periodos cortos, levante el impulsor de la almohadilla y la escobilla de goma de manera que no toquen el suelo; esto evitará que se deterioren.

ATENCIÓN: Si guarda la máquina con temperaturas iguales o inferiores a 0°C, asegúrese de vaciar todo el agua de la misma. La garantía no cubre las averías causadas por heladas.

ARTÍCULOS RECOMENDADOS A MANTENER EN EXISTENCIA

Para los artículos recomendados a mantener en existencia, refiérase a la sección de Lista de Piezas. Los artículos para mantener en existencia están claramente identificados con una bala que precede a la descripción de las piezas. Vea el ejemplo de abajo:

Ref.	Part No.	Description	Qty.
1	301185	•BOM. STANDPIPE	1
2	308013	•FLCAT. BRUPOFF	1
3	228167	•BPPLE	1
4	301714	•GASLET	1
5	218249	NUT. FLAVSED	1

LOCALIZACIÓN DE AVERÍAS

PROBLEMA	CAUSA	SOLUCIÓN
No hay alimentación, no funciona nada.	Defectuoso principal interruptor.	Contactar con el Servicio Técnico.
	Las baterías necesitan ser cargadas.	Consultar el apartado de CARGA DE LAS BATERÍAS.
	Batería(s) defectuosa(s).	Sustituir la(s) batería(s).
	Cable de la batería flojo.	Apretar los cables flojos.
	Las baterías están mal conectadas.	Consultar el apartado de INSTALACIÓN DE LA BATERÍA.
	Cortacircuitos PRINCIPAL activado.	Determinar la causa y reajustar el botón del cortacircuitos.
El motor del cepillo no funciona.	Interruptor del cepillo defectuoso.	Contactar con el Servicio Técnico.
	Cortacircuitos del cepillo activado o se ha sacado.	Limpiar o sustituir el cepillo o la almohadilla y reajustar el cortacircuitos.
	Rectificador fundido.	Contactar con el Servicio Técnico.
	Cableado defectuoso o motor del cepillo averiado.	Contactar con el Servicio Técnico.
	Cepillos de carbón gastados.	Contactar con el Servicio Técnico.
	Solenoides defectuosos.	Contactar con el Servicio Técnico.
El motor de aspiración no funciona.	Interruptor de aspiración defectuoso.	Contactar con el Servicio Técnico.
	Cortacircuitos de aspiración activado.	Retirar la obstrucción y reajustar el cortacircuitos.
	Cableado defectuoso o motor de aspiración averiado.	Contactar con el Servicio Técnico.
	Cepillos de carbón gastados.	Contactar con el Servicio Técnico.
El motor de impulsión no funciona.	Cortacircuitos PRINCIPAL activado.	Determinar la causa y reajustar el cortacircuitos.
	Defectuoso principal interruptor.	Contactar con el Servicio Técnico.
	Tarjeta de control de la velocidad o su conexión defectuosas.	Contactar con el Servicio Técnico.
	Solenoides defectuosos.	Contactar con el Servicio Técnico.
	Motor de impulsión defectuoso.	Contactar con el Servicio Técnico.
	Cableado defectuoso.	Contactar con el Servicio Técnico.
	Cepillos de carbón gastados.	Contactar con el Servicio Técnico.
El motor de impulsión funciona pero no correctamente.	Potenciómetro o tarjeta de control de la velocidad defectuosos.	Contactar con el Servicio Técnico.
	Resistencia defectuosa.	Contactar con el Servicio Técnico.

OPERACIÓN

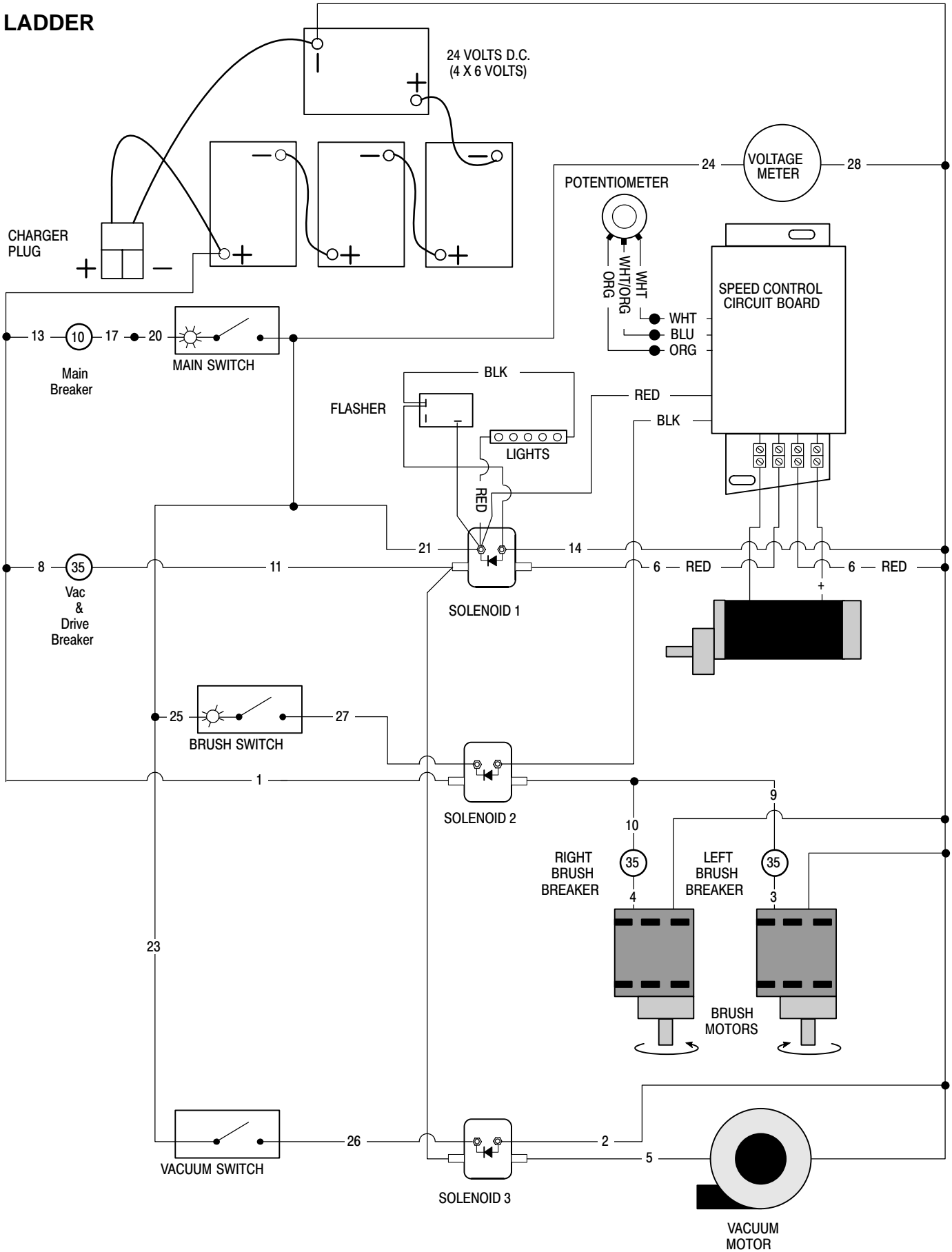
LOCALIZACIÓN DE AVERÍAS – CONTINUACIÓN

PROBLEMA	CAUSA	SOLUCIÓN
El flujo de la disolución es insuficiente o nulo.	La palanca del flujo de la disolución no ha sido activada.	Empujar la palanca del flujo de la disolución hacia delante.
	Tubería o filtro de la disolución bloqueadas.	Extraer la manguera y limpiarla con aire comprimido. Para evitar que se vuelva a bloquear aclarar el depósito de la disolución con agua limpia después de cada uso.
	Válvula de la disolución bloqueada.	Extraer la válvula y limpiarla. No raye ni dañe el interior de la válvula.
	Es necesario ajustar el botón de ajuste el flujo de la disolución.	Girar el botón del flujo de la disolución en el sentido de las agujas del reloj para incrementar dicho flujo.
Tiempo de funcionamiento demasiado corto.	Las baterías no están totalmente cargadas.	Cargar las baterías.
	Elemento defectuoso en una o más baterías.	Sustituir la batería.
	Las baterías necesitan una revisión.	Consultar el apartado de MANTENIMIENTO DE LA BATERÍA.
	Cargador defectuoso.	Sustituir el cargador.
Funcionamiento defectuoso de las escobilla de goma	Depósito de recuperación lleno.	Vaciar el depósito de recuperación.
	Filtro del flotador de cierre del depósito de recuperación obstruido.	Extraer el filtro y limpiarlo.
	Escobilla de goma bloqueada por restos.	Limpiar la escobilla de goma.
	Láminas de la escobilla de goma gastadas.	Sustituir las láminas de la escobilla de goma.
	Tornillos de orejas de la escobilla de goma flojos.	Apretar los tornillos de orejas.
	Conexiones de la manguera de aspiración flojas o existe un orificio en la manguera de aspiración.	Introducir bien la manguera de aspiración en sus conexiones. Sustituir la manguera si está dañada.
	Manguera de aspiración bloqueada por restos.	Retirar los restos que la bloquean.
	Junta del depósito defectuosa.	Sustituir la junta del depósito.
	Entrada al depósito de recuperación bloqueada. La entrada se encuentra en la parte inferior del depósito de recuperación.	Vaciar el depósito de recuperación y levantarlo lateralmente para localizar el orificio de entrada, retirar los restos que bloquean dicho orificio.
	Tapón de la manguera de vaciado mal cerrado.	Cerrar bien el tapón de vaciado.
	Tapa transparente del depósito de recuperación floja.	Cerrar bien la tapa.
	Motor de aspiración flojo.	Contactar con el Servicio Técnico.
	Batería poco cargada.	Cargar las baterías. No utilizar la máquina cuando la aguja indicadora del nivel de carga de la batería se encuentra en la zona roja.
	Las luces de seguridad no funcionan.	Bombilla fundida.

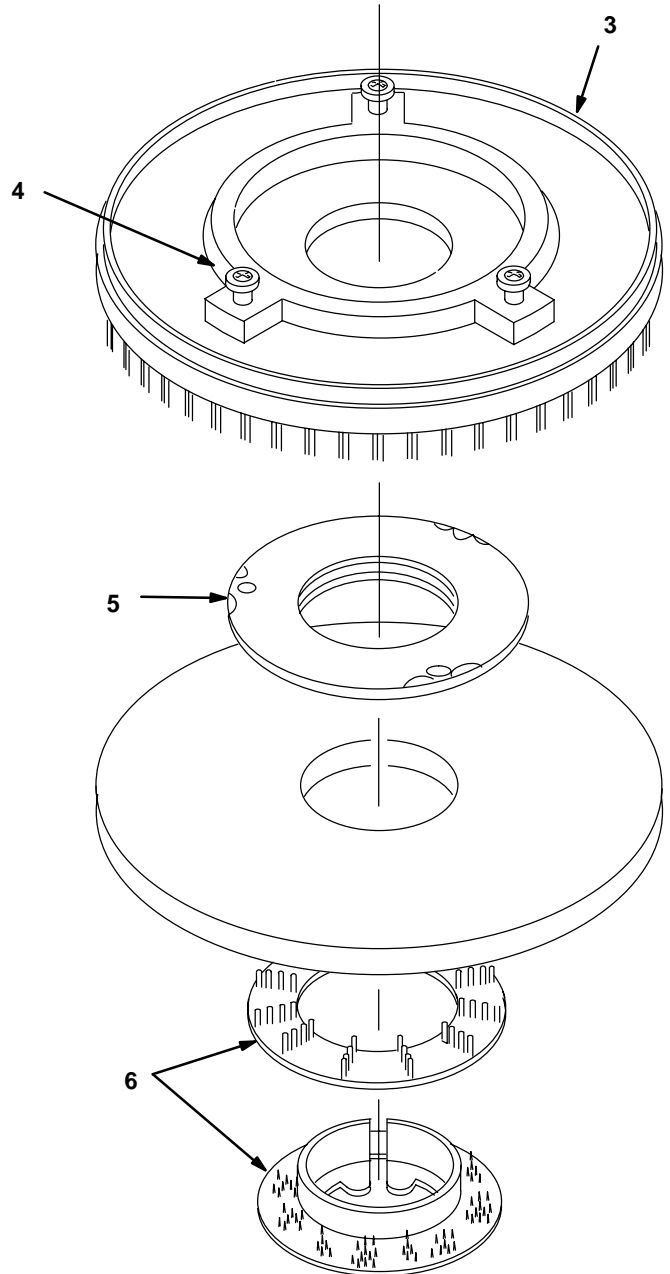
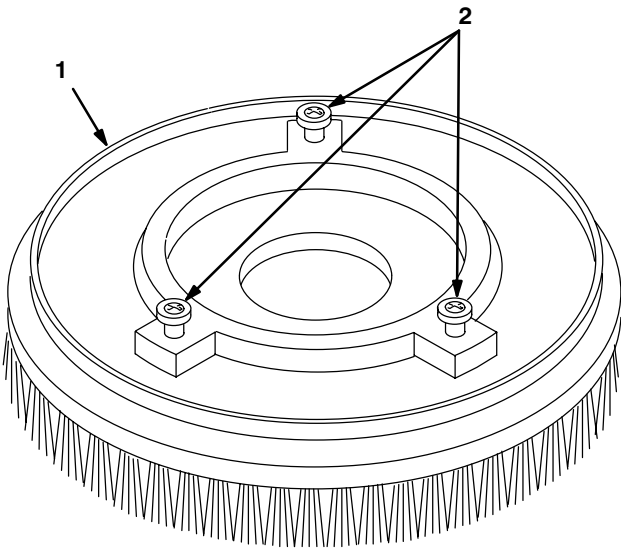
ESPECIFICACIONES

MODELO	SPEED SCRUB™ 2701	SPEED SCRUB™ 3301
LONGITUD	1500 mm (59 inch)	1500 mm (59 inch)
ANCHURA	740 mm (29 inch)	890 mm (35 inch)
ALTURA	1040 mm (41 inch)	1040 mm (41 inch)
PESO – CON BATERÍAS	352kg (760 lbs)	355kg (765 lbs)
CAPACIDAD DE LOS DEPÓSITOS	102 L (27 Gal)	102 L (27 Gal)
CONTROL DE LA VELOCIDAD	Variable delante/detrás	Variable delante/detrás
VELOCIDAD DE LIMPIEZA (MAX.)	2787 m ² /h (30,000 sq. ft./h)	3251 m ² /h (35,000 sq. ft./h)
ANCHURA DEL CARRIL DE LIMPIEZA	680 mm (27 inch)	830 mm (33 inch)
DIÁMETRO DE LA ALMOHADILLA	2 – 355 mm (14 inch)	2 – 430 mm (17 inch)
ANCHURA DE LA ESCOBILLA DE GOMA	965 mm (38 in)	1067 mm (42 in)
MOTOR DE IMPULSIÓN	0.5 cv, 0–1800 rpm, 24V, 10A	0.5 cv, 0–1800 rpm, 24V, 10A
MOTOR DEL CEPILLO	2 – 0.75 cv, 220 rpm, 24V, 20A, 550W	2 – 0.75 cv, 220 rpm, 24V, 20A, 550W
MOTOR DE ASPIRACIÓN	0.75 cv, 3–fases 5,7”, 24V, 21A, 550W	0.75 cv, 3–fases 5,7”, 24V, 21A, 550W
ELEVACIÓN DEL AGUA	1720 mm (68 inch)	1720 mm (68 inch)
BATERÍAS	4–305 amp/hora 6 v ciclo	4–305 amp/hora 6 v ciclo
INDEPENDENCIA CON BATERÍAS TOTALMENTE CARGADAS	4.76 horas	4.76 horas
RUIDO (EN DECIBELIOS) A LA ALTURA DEL OPERARIO EN UN RECINTO CERRADO CON SUELO DE BALDOSAS.	<70dB(A)	<70dB(A)

LADDER



REPLACEMENT BRUSHES AND PAD DRIVER GROUP
CEPILLO DEL REEMPLAZO Y GRUPO DEL MANDO DE LA ALMOHADILLA



**REPLACEMENT BRUSHES AND PAD DRIVER GROUP
CEPILLO DEL REEMPLAZO Y GRUPO DEL MANDO DE LA ALMOHADILLA**

REF	PART #	DESCRIPTION	QTY.
▽ 1	240227	BRUSH, POLY SCRUB PK/2 (2701)	2
	240234	BRUSH, NYLON GRIT PK/2 (2701)	2
	240236	BRUSH, DYNA SCRUB PK/2 (2701)	2
	240243	BRUSH, SCRUB/STRIP PK/2 (2701)	2
	240230	BRUSH, POLY SCRUB PK/2 (3301)	2
	240235	BRUSH, NYLON GRIT PK/2 (3301)	2
	240237	BRUSH, DYNA SCRUB PK/2 (3301)	2
	240241	BRUSH, SCRUB/STRIP PK/2 (3301)	2
▲ 2	240238	LUGS, W/ SCREWS (SET OF 3)	6

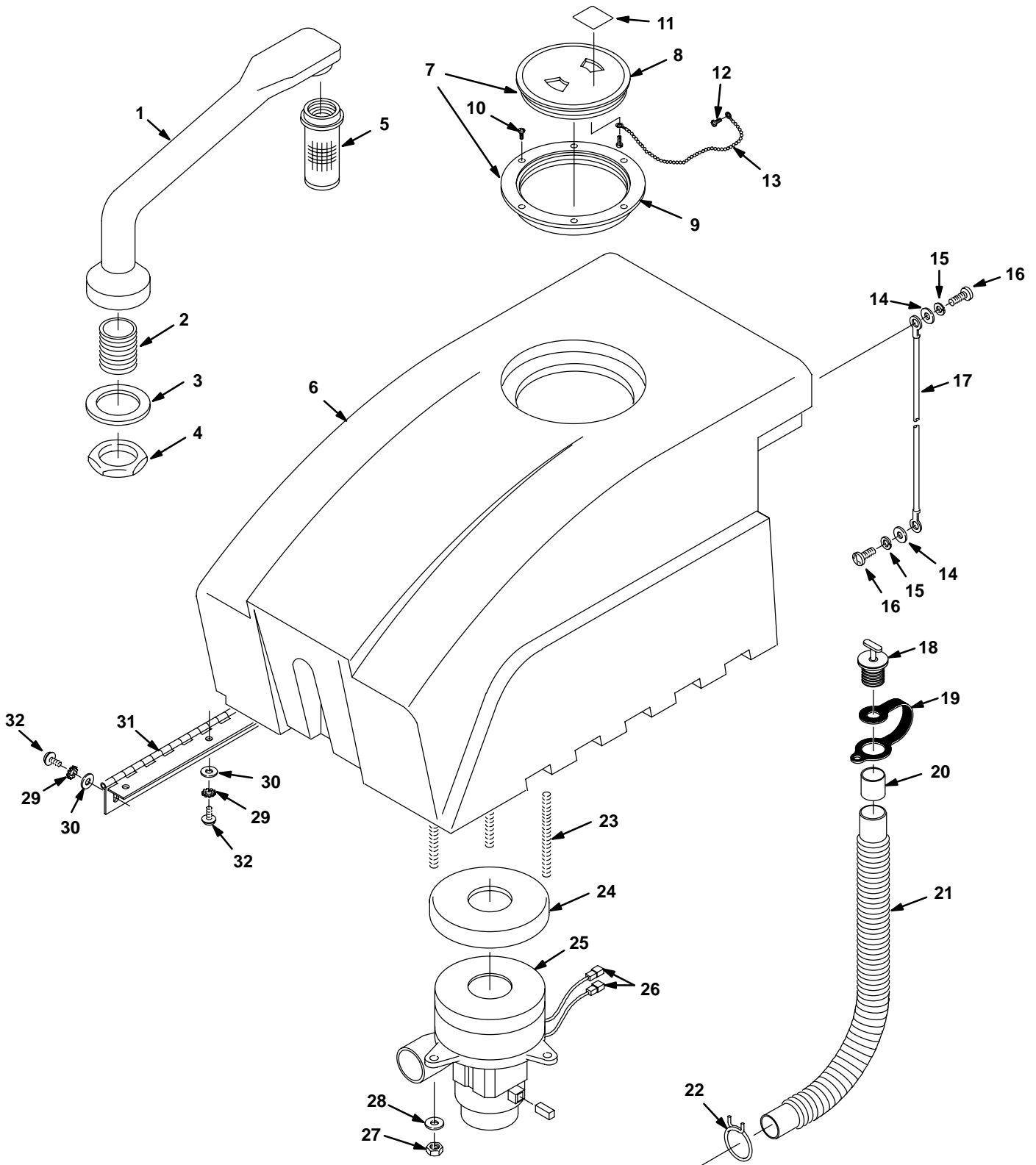
REF	PART #	DESCRIPTION	QTY.
▽ 3	240232	●PAD DRIVER ASM 14" (2701)	2
	240233	●PAD DRIVER ASM 17" (3301)	2
▲ 4	240238	LUGS, W/ SCREWS (SET OF 3)	6
▲ 5	100106	PLATE, PAD DRIVER BASE	2
▲ 6	100107	●RING, PAD RETAINER SNAP-IN	2

▽ ASSEMBLY / CONJUNTO

▲ INCLUDED IN ASSEMBLY / INCLUIDO EN EL CONJUNTO

● RECOMMENDED STOCK ITEMS / ARTICULOS RECOMENDADOS PARA
MANTENER EN EXISTENCIA

RECOVERY TANK GROUP
CONJUNTO DESPOSITO RECUPERAR



RECOVERY TANK GROUP
CONJUNTO DESPOSITO RECUPERAR

REF	PART #	DESCRIPTION	QTY.
∇	100162	ASM STANDPIPE W/NIPPLE	1
▲ 1	100759	STANDPIPE, RM-NAT	1
▲ 2	606088	FITTING, 1-1/2" NIPPLE CPVC	1
3	101714	●GASKET, WASTE AIR CHAMBER	1
4	210240	NUT, FLANGED 1-1/2	1
5	180613	●FLOAT, SHUT-OFF	1
6	608280	TANK, RECOVERY GREEN	1
	101275	TANK, RECOVERY GRAY	1
∇ 7	100102	●ASM, CLEAR LID W/STD HOLE	1
▲ 8	100105	●LID, CLEAR CENTER ONLY	1
▲ 9	100109	●LID, OUTER RING ONLY	1
10	140826	SCREW, #6X3/4	6
11	606105	DECAL, DO NOT SPRAY	1
12	3701.6	SCREW, #6X3/8	2
13	230513	ASM, CHAIN	1
14	140027	WASHER, 5/16 FLAT	2
15	140015	WASHER, 5/16 SPLITLOCK	2
16	200031488	SCREW, M8X1.25X20	2

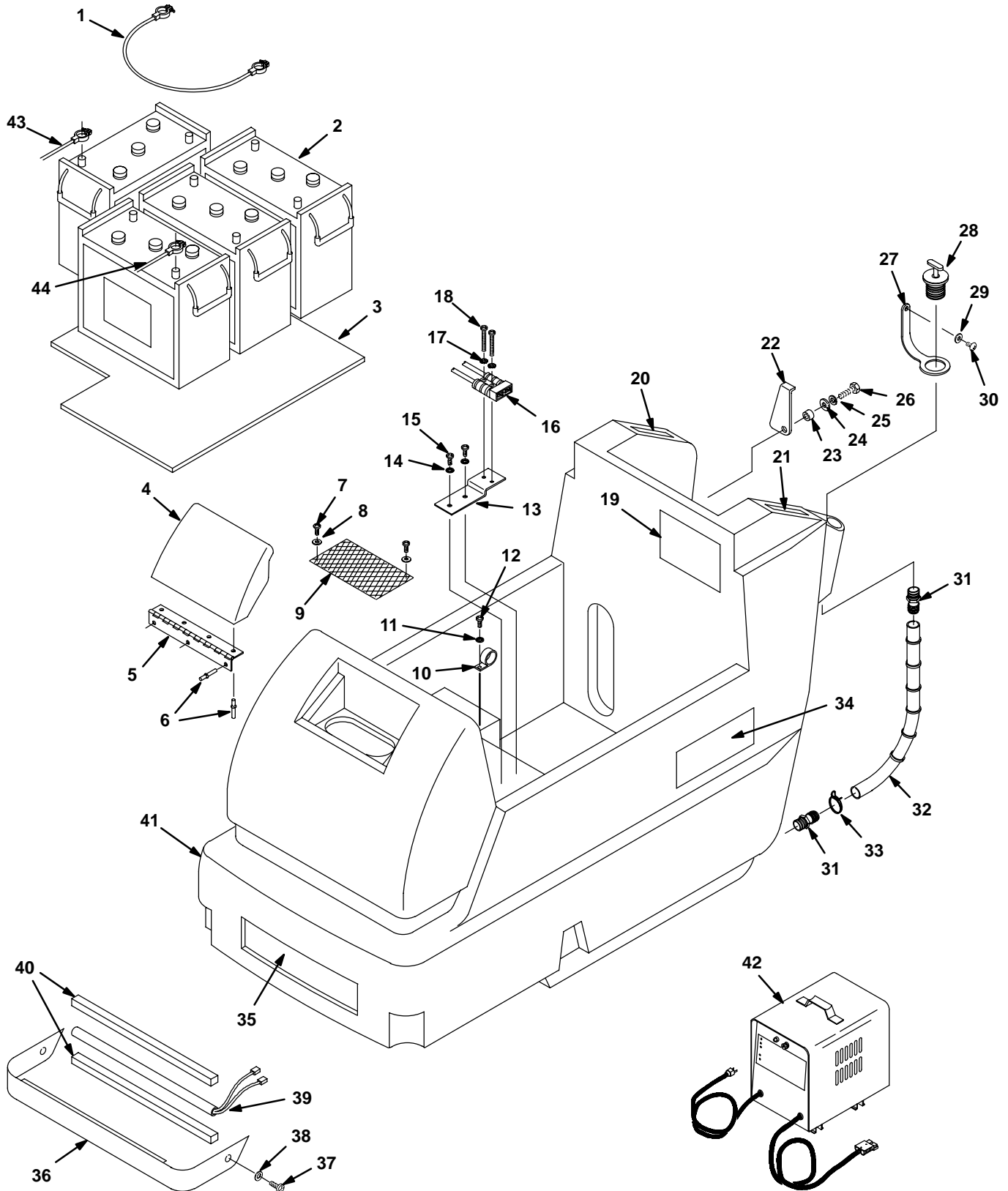
REF	PART #	DESCRIPTION	QTY.
17	140960	●CABLE, REC TANK SUPPORT	1
∇	603437	ASM, DRAIN HOSE	1
▲ 18	621324	●PLUG, EXPANSION 1-1/2"DIA	1
▲ 19	578441	●STRAP, DRAIN HOSE	1
▲ 20	630394	●SLEEVE, DRAIN HOSE 1.5"ID	1
▲ 21	630068	●HOSE, DRAIN 38.1ID X20"	1
▲ 22	607777	CLAMP, HOSE 1 WIRE BLACK	1
23	140353	SCREW, M6X1.0X108 STUD	3
24	0174..10	●SEAT, NEOPRENE MOTOR	1
25	130477	●MOTOR, VAC 5.7 3S 24V	1
	190163	●BRUSH, CARBON 2/PK	2
26	130096	TERMINAL, MALE	2
27	140000	WASHER, 1/4 FLAT	3
28	140284	NUT, M6X1.0 NYLOCK	3
29	140052	WASHER, 1/4 EXT	11
30	140000	WASHER, 1/4 FLAT	11
31	230938	●HINGE, REC TANK	1
32	578187000	SCREW, M6X1.0X12	11

∇ ASSEMBLY / CONJUNTO

▲ INCLUDED IN ASSEMBLY / INCLUIDO EN EL CONJUNTO

● RECOMMENDED STOCK ITEMS / ARTICULOS RECOMENDADOS PARA
MANTENER EN EXISTENCIA

CHASSIS GROUP
CONJUNTO TELAIO



CHASSIS GROUP CONJUNTO TELAIO

REF	PART #	DESCRIPTION	QTY.
1	130367	CABLE, BATTERY 15" BLK X 6	3
2	606991	BATTERY 6V 305AH DUAL TERM	4
	130986	BATTERY 6V 250AH	4
3	100707	PLATE, BATTERY SUPPORT	1
▽	608518	ASM, COVER SOL. TANK GREEN	1
	701196	ASM, COVER SOL. TANK GRAY	1
▲	608284	COVER, SOL. TANK GREEN	1
	100482	COVER, SOL. TANK GRAY	1
▲	230626	HINGE, COVER	1
▲	140706	RIVET, POP 1/8	7
7	3701.6	SCREW, #6X3/8	2
8	140032	WASHER, #6 FLAT	2
9	602529	FILTER, SCREEN	1
10	140300	CLAMP, INSULATED 1/2" ID	1
11	140018	WASHER, #10 INT	1
12	578141000	SCREW, M5X10	1
13	230665	BRACKET, CHARGER PLUG	1
14	140018	WASHER, #10 INT	2
15	578141000	SCREW, M5X10	2
16	604556	ASM, CHARGE PLUG WIRE	1
17	140019	WASHER, #6 EXT	2
18	2728.12	SCREW 6-32X3/4	2
19	120567	DECAL, WARNING BATT. DIAGRAM	1
20	600649	DECAL, SOLUTION LEVER CE	1
21	600650	DECAL, SQUEEGEE LEVER CE	1
22	230925	SUPPORT, RECOVERY TANK	1
23	140116	BUSHING, 5/16ID X 7/16OD X .140	1

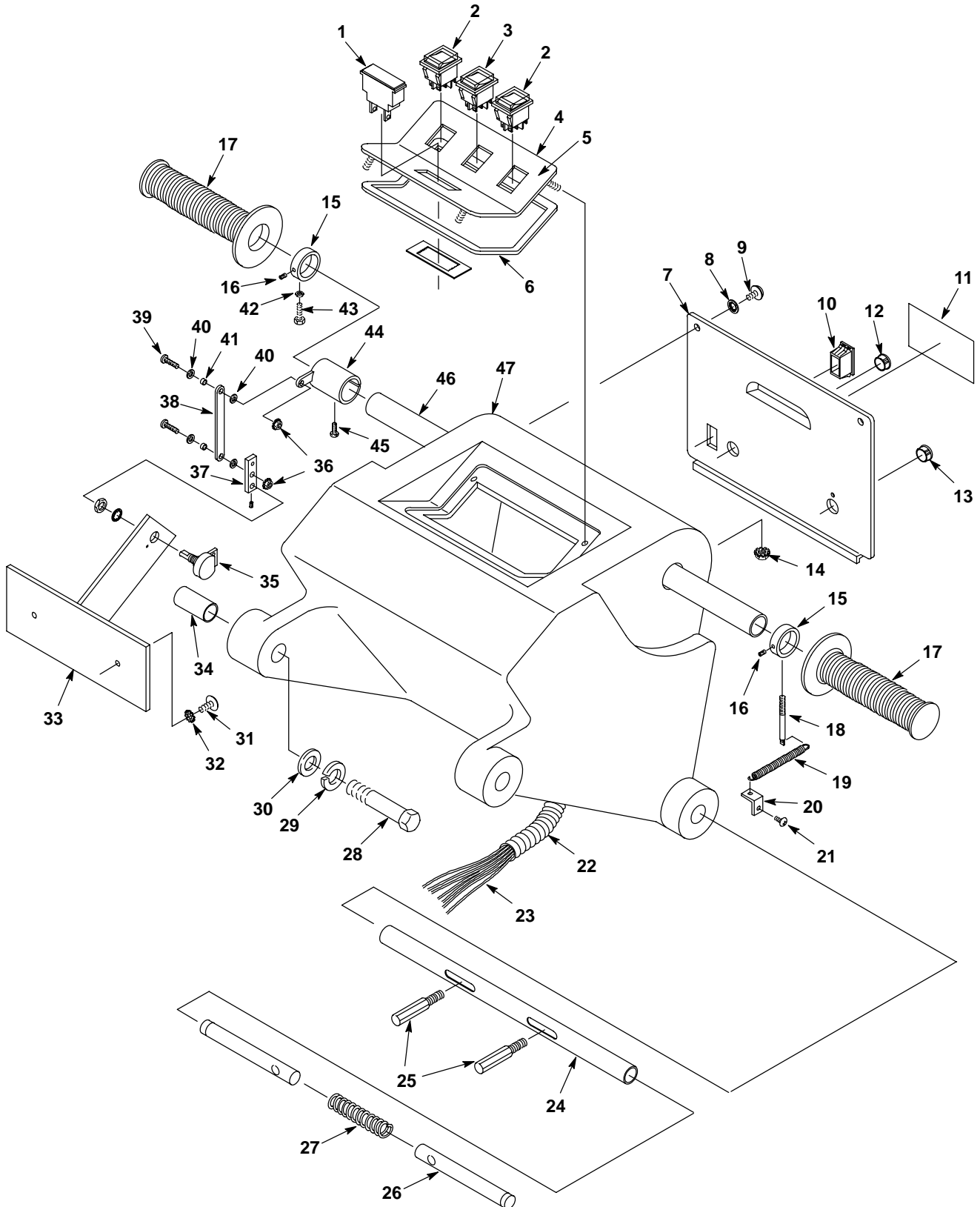
REF	PART #	DESCRIPTION	QTY.
24	140027	WASHER, 5/16 FLAT	1
25	140015	WASHER, 5/16 LOCK	1
26	578237000	SCREW M8 X 1.25 X 18	1
27	600476	STRAP, PLUG REAR FILL	1
28	621324	PLUG, EXPANSION	1
29	140012	WASHER, 3/16	1
30	140350	SCREW, #10X1/2	1
31	150529	FITTING, 3/4M X 3/4H BARB	2
32	600796	HOSE, DRAIN W/LEVEL INDCTR	1
33	608915	CLAMP, HOSE 2 WIRE	1
34	608448	DECAL, SPEED SCRUB 2701	2
	608447	DECAL, SPEED SCRUB 3301	2
35	608184	DECAL, NOBLES LOGO	1
36	230937.BK	SHIELD, LIGHT	1
37	578141000	SCREW, M5X10	2
38	140018	WASHER, #10 INT	2
39	130020	LIGHT, SAFETY 19"	1
40	605324	GASKET, 1/2" CLOSED CELL	2
41	608282	TANK, SOLUTION GREEN	1
	101801	TANK, SOLUTION GRAY	1
42	130871	CHARGER, 24VDC 25AMP (FOR 250-305 AMP BATTERIES)	1
	601734	CHARGER, 24VDC 36AMP (FOR 250-335 AMP BATTERIES)	1
43	130390	ASM., WIRE #6 BLK 29"	1
44	130391	ASM., WIRE #6 RED 64"	1

▽ ASSEMBLY / CONJUNTO

▲ INCLUDED IN ASSEMBLY / INCLUIDO EN EL CONJUNTO

● RECOMMENDED STOCK ITEMS / ARTICULOS RECOMENDADOS PARA
MANTENER EN EXISTENCIA

CONTROL CONSOLE GROUP
CONJUNTO CONSOLA DE CONTROLES



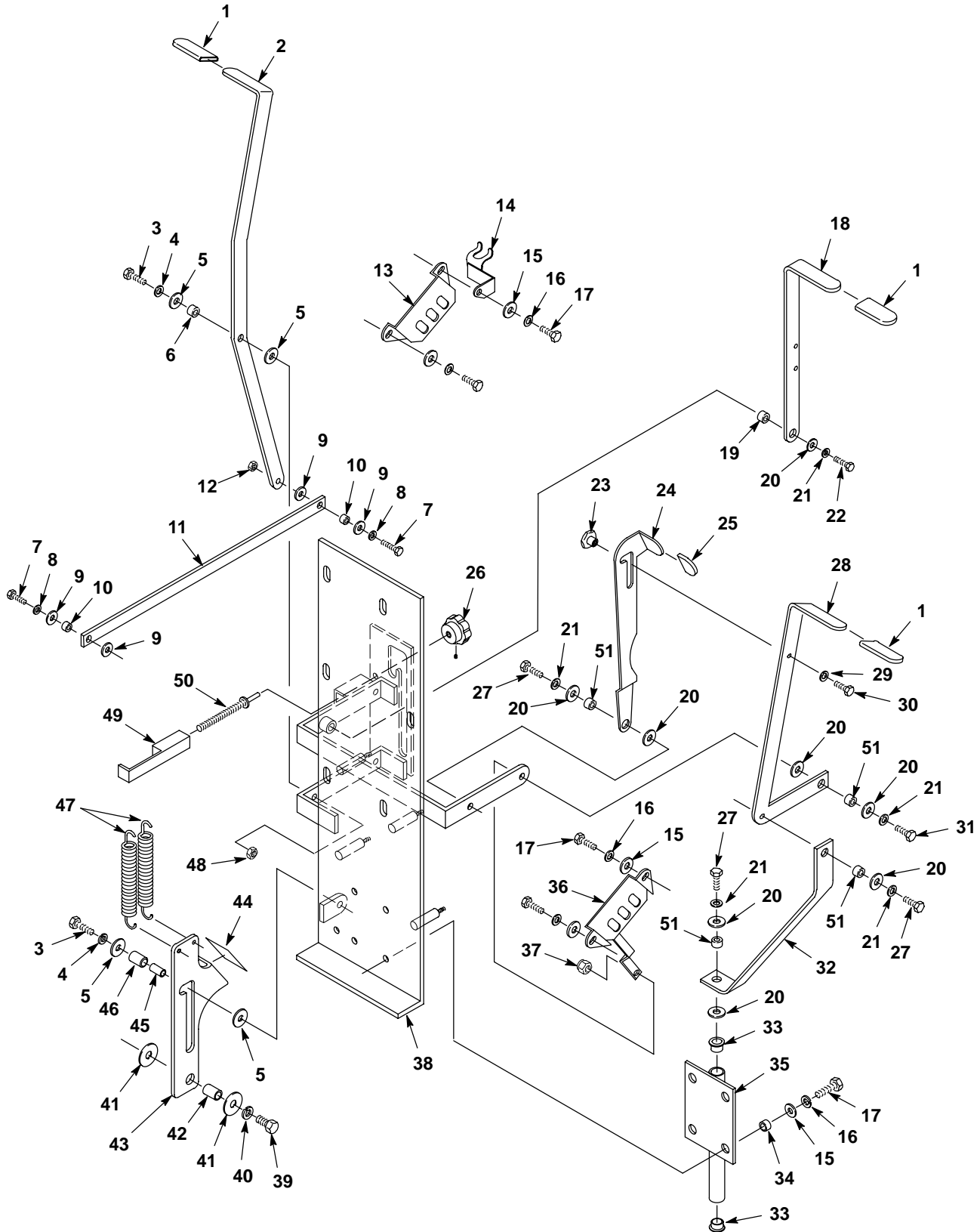
CONTROL CONSOLE GROUP
CONJUNTO CONSOLA DE CONTROLES

REF	PART #	DESCRIPTION	QTY.
1	606020	●METER, BATTERY VOLTAGE 24V	1
2	130816	●SWITCH, ROCKER SPST	2
3	130764	●SWITCH, ROCKER DPST 240V	1
4	230698.BK	PANEL, CONSOLE BLACK	1
5	600648	DECAL, DASH CE	1
6	100057	GASKET, CONSOLE	1
7	606276	PANEL, REAR COVER	1
8	140018	WASHER, #10 INT	2
9	140887	SCREW, 10-24X3/8	2
10	582150	PLUG, ACCESSORY SWITCH	1
11	120619	DECAL, WARNING	1
12	130198	PLUG, PRY OUT .500 OD	1
13	069764626	PLUG, HOLE 012.7	1
14	140519	NUT, 10-24 KEP	4
15	230652	COLLAR, HANDLE	2
16	140859	SCREW, 1/4-20X1/4 SET	2
17	200823	GRIP, HANDLE TUBE	2
18	230491	PIN, SPRING RETURN	1
19	140409	SPRING, ROLL THROTTLE	1
20	230564	BRACKET, SPRING	1
21	140900	SCREW, 10-24X3/4	1
22	130008	WRAP, LOOM .50DX1.25'	1
23	600646	HARNESS, HOUSING	1
24	230613	TUBE, HANDLE ADJUSTMENT	1

REF	PART #	DESCRIPTION	QTY.
25	230649	PIN, HANDLE ADJUSTMENT	2
26	230648	PIN, HANDLE ADJUSTMENT LOCK	2
27	140415	SPRING, LOCK PIN	1
28	140351	SCREW, M12X1.75X70	2
29	140024	WASHER, 1/2 LOCK	2
30	3148.816	WASHER, .875X.515X.06 FLAT	2
31	140885	SCREW, 1/4-20X1/2	2
32	140052	WASHER, 1/4 EXT	2
33	230690	BRACKET, SPEED POT	1
34	140155	BUSHING, .48X.62X2.00	2
35	190802	KIT, POT REPLACEMENT	1
36	140519	NUT, 10-24 KEP	2
37	230688	LEVER ARM, SPEED POT	1
38	230689	LINK, SPEED POT	1
39	140900	SCREW, 10-24X3/4	2
40	140012	WASHER, 3/16 FLAT	4
41	140138	BUSHING, .19X.25X.14	2
42	140510	NUT 1/4-20 HXJM	1
43	140554	SCREW, 1/4-20X3/4	1
44	230687	BRACKET, SPEED POT TUBE	1
45	140899	SCREW, 10-24X1-1/4	1
46	230671	HANDLE, TUBE	1
47	608278	HOUSING, CONTROL GREEN	1
	100454	HOUSING, CONTROL GRAY	1

- RECOMMENDED STOCK ITEMS / ARTICULOS RECOMENDADOS PARA MANTENER EN EXISTENCIA

LEVER GROUP
CONJUNTO DE PALANCAS

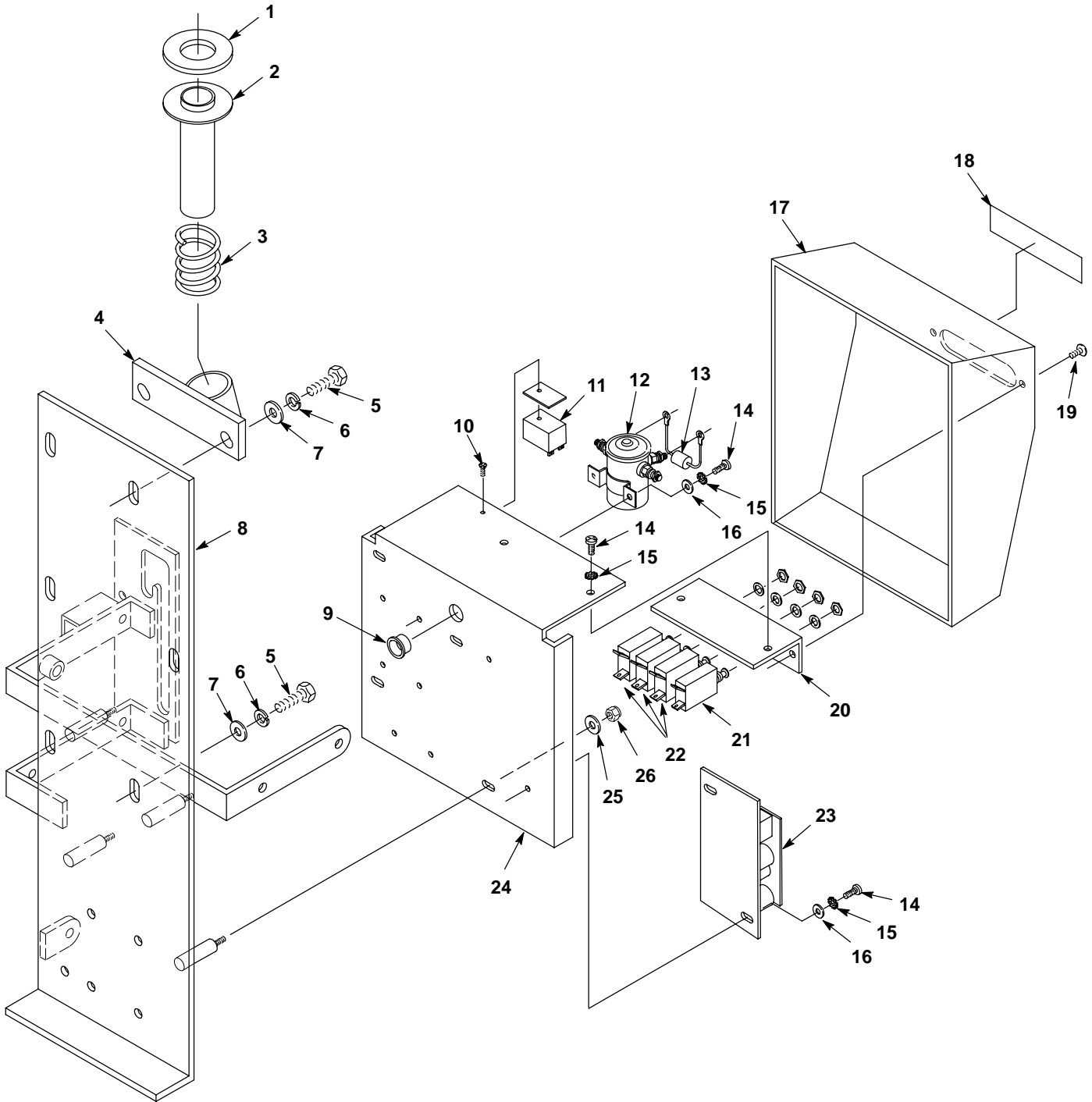


LEVER GROUP
CONJUNTO DE PALANCAS

REF	PART #	DESCRIPTION	QTY.
1	200816	GRIP, HANDLE 1/4 X 1 X 2 1/4	3
2	230680	HANDLE, VALVE HANDLE	1
3	140202	SCREW, 3/8-16X1	2
4	140017	WASHER, 3/8 SPLITLOCK	2
5	140028	WASHER, 3/8 FLAT	4
6	140136	BUSHING, .38X.50X.28	1
7	140208	SCREW, 1/4-20X1	2
8	140016	WASHER, 1/4 LOCK	2
9	140000	WASHER, 1/4 FLAT	4
10	140134	BUSHING, .25X.38X.27	2
11	230656	LEVER, VALVE	1
12	140510	NUT, 1/4-20 HEXJAM	1
13	230661	PLATE, LOCK CONTROL HOUSING	1
14	602641	BRACKET, DRAIN HOSE HANGER	1
15	140027	WASHER, 5/16 FLAT	4
16	140015	WASHER, 5/16 SPLITLOCK	4
17	578237000	SCREW, M8X1.25X18	8
18	230654	HANDLE, BRUSH PRESSURE	1
19	140144	BUSHING, .38X.50X.50	1
20	140028	WASHER, 3/8 FLAT	9
21	140017	WASHER, 3/8 SPLITLOCK	5
22	2949.7	SCREW, 3/8-16X7/8	1
23	230631	SPACER, SQUEEGEE LIFT	1
24	230659	LATCH, SQUEEGEE HANDLE	1
25	200817	GRIP, HANDLE .095X7/8X1-3/8	1
26	240208	KNOB, HEIGHT ADJUSTMENT	1

REF	PART #	DESCRIPTION	QTY.
27	140201	SCREW, 3/8-16X3/4	3
28	230658	HANDLE, SQUEEGEE LEVER	1
29	140016	WASHER, 1/4 LOCK	1
30	140259	SCREW, 1/4-20X5/8	1
31	140231	SCREW, 3/8-16X1-1/2	1
32	230660	LINK, SQUEEGEE HANDLE	1
33	140103	BEARING, FLANGE 5/8"	2
34	140133	BUSHING, SQUEEGEE MNT BRKT	4
35	230750	BRACKET, SQUEEGEE MOUNT	1
36	230297	PLATE, LOCK CONTROL HOUSING	1
37	140515	NUT, 3/8-16 NYLOCK	1
38	230933.BK	PANEL, REAR WELDMENT	1
39	140237	SCREW, 1/2-13X1	1
40	140024	WASHER, 1/2 LOCK	1
41	140045	WASHER, .510X1.25X.06 FLAT	2
42	140139	BUSHING, BRUSH LIFT PEDAL	1
43	230775	LATCH, BRUSH LIFT PEDAL	1
44	102560	PAD, NON-SLIP 1.62 SQ.	1
45	140136	BUSHING, .38X.50X.28 (INNER)	1
46	140145	BUSHING, LIFT LATCH (OUTER)	1
47	140423	SPRING, BRUSH PRESSURE	2
48	140525	NUT, 3/8-16 HEX	1
49	230944	BLOCK, VALVE STOP	1
50	230945	STUD, VALVE ADJUSTMENT STOP	1
51	140136	BUSHING, .38X.50X.28	4

ELECTRICAL PANEL GROUP
CONJUNTO CONSOLA ELÉCTRICO



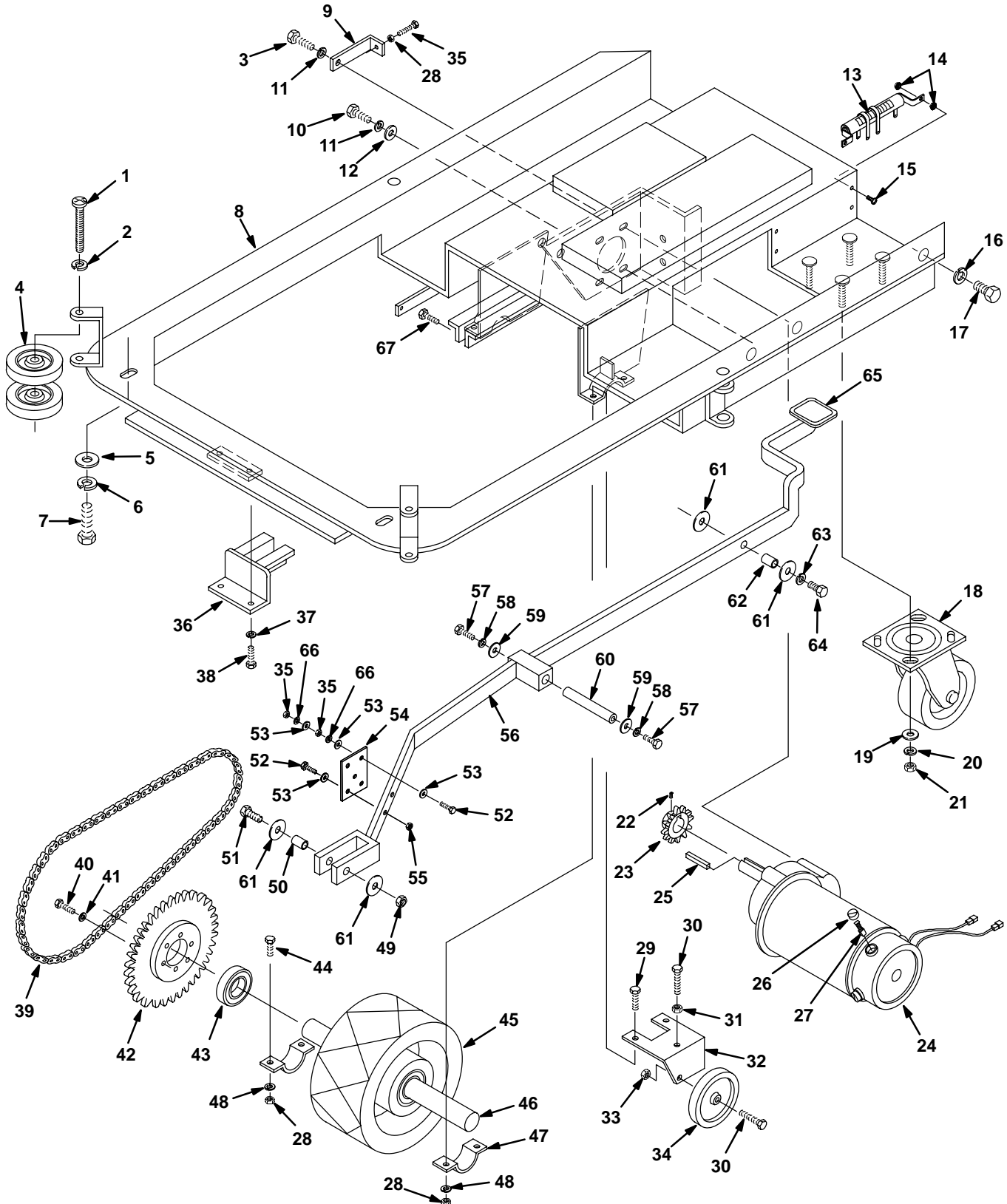
ELECTRICAL PANEL GROUP
CONJUNTO CONSOLA ELÉCTRICO

REF	PART #	DESCRIPTION	QTY.
1	100151	GASKET, TUBE-ADAPTER	1
2	230664	ADAPTER, TUBE	1
3	140424	SPRING, TUBE-ADAPTER	1
4	230939	BRACKET, TUBE WELDMENT	1
5	578237000	SCREW, M8X1.25X18	5
6	140015	WASHER, 5/16 SPLITLOCK	5
7	140027	WASHER, 5/16 FLAT	5
8	230933.BK	PANEL, REAR WELDMENT	1
9	130104	BUSHING, SNAP .88ID - BLACK	1
10	140565	SCREW, 4-40X3/8	1
11	130021	●FLASHER, 24VDC	1
12	605905	●SOLENOID, 24 VDC	3
13	606404	●ASM, DIODE W/RING TERMINALS	3

REF	PART #	DESCRIPTION	QTY.
14	140887	SCREW, 10-24X3/8	10
15	140031	WASHER, #10 EXTERNAL	8
16	140012	WASHER, 3/16 FLAT	8
17	100234	COVER, ELECTRICAL PANEL	1
18	600651	DECAL, CIRCUIT BREAKER CE	1
19	140197	SCREW, 10-24X3/8	2
20	230553	BRACKET, CIRCUIT BREAKER	1
21	130755	●BREAKER, CIRCUIT 10A	1
22	130756	●BREAKER, CIRCUIT 35A	3
23	190959	ASM, SPEED CONTROL	1
24	230552	PANEL, ELECTRICAL	1
25	140000	WASHER, 1/4 FLAT	4
26	140284	NUT, M6X1.0 NYLOCK	4

- RECOMMENDED STOCK ITEMS / ARTICULOS RECOMENDADOS PARA MANTENER EN EXISTENCIA

DRIVE WHEEL GROUP
CONJUNTO RUEDA DE MANDO



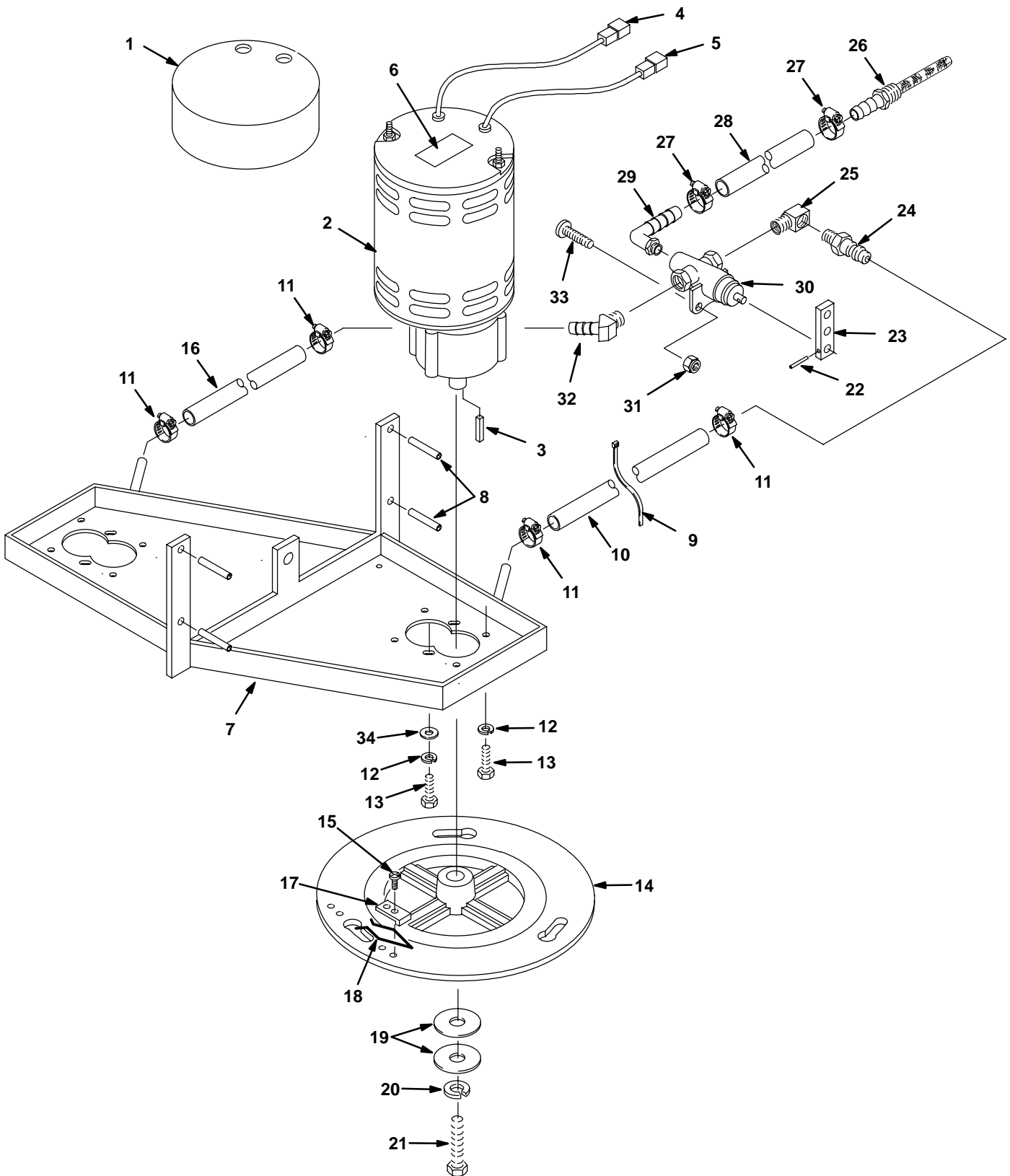
DRIVE WHEEL GROUP
CONJUNTO RUEDA DE MANDO

REF	PART #	DESCRIPTION	QTY.
1	600349	SCREW, 5/16-18 X 2-3/4	2
2	140015	WASHER, 5/16 SPLITLOCK	2
3	140232	SCREW, 3/8-16X1-1/4	1
4	630450	WHEEL, 76 DIA X 22 WD RUBBER	4
5	140027	WASHER, 5/16 FLAT	2
6	140333	WASHER, M10 LOCK	2
7	140276	SCREW, M10 X 1.5 X 16MM	2
8	230932.BK	CHASSIS, WELDMENT	1
9	230655	BRACKET, DRIVE MTR TENSION	1
10	140202	SCREW, 3/8-16 X 1	3
11	140017	WASHER, 3/8 LOCK	3
12	140028	WASHER, 3/8 FLAT	3
13	130713	●RESISTOR, 100 WATT .9 OHM	2
14	140519	NUT, 10-24 KEP	8
15	140900	SCREW, 10-24 X 3/4	4
16	140024	WASHER, 1/2 LOCK	2
17	140352	SCREW, M12 X 1.75 X 25	2
18	103002	●CASTER, 4" SWIVEL	2
19	140036	WASHER, 3/8 FLAT	8
20	140333	WASHER, M10 SPLITLOCK	8
21	140285	NUT, HEX M10 X 1.5	8
22	140859	SCREW, 1/4-20 X 1/4	1
23	240071	SPROCKET, DRIVE MOTOR #40-10	1
▽ 24	130466	●MOTOR, DRIVE 24V	1
▲ 25	140632	KEY, 1/4 X 1"	1
▲ 26	130507	●CAP, CARBON BRUSH	4
▲ 27	130508	●CARBON BRUSH	4
28	140525	NUT, 3/8-16 HEX	5
29	140232	SCREW, 3/8-16 X 1-1/4	2
30	140233	SCREW, 3/8-16 X 1-3/4	2
31	140525	NUT, 3/8-16	1
32	230796	BRACKET, WHEEL SUPPORT	1
33	140525	NUT, 3/8-16	1
34	103007	WHEEL, 4" X 1" 3/8	1

REF	PART #	DESCRIPTION	QTY.
35	140510	NUT, 1/4-20 HEXJAM	4
36	230941	BRACKET, FRONT LIFT GUIDE	1
37	140015	WASHER, 5/16	2
38	140275	SCREW, M8 X 1.25 X 16	2
39	606426	●KIT, CHAIN & LINK	1
40	140223	SCREW, 5/16-18 X 3/4	6
41	140015	WASHER, 5/16	6
42	240070	SPROCKET, DRIVE WHEEL	1
43	140124	BEARING	2
44	140232	SCREW, 3/8-16 X 1-1/4	2
45	103058	WHEEL, DRIVE 8" SCRUBBER	1
46	230205	SHAFT, DRIVE WHEEL	1
47	140311.BK	CLAMP, WHEEL AXLE BLACK	2
48	140017	WASHER, 3/8 SPLITLOCK	4
49	140509	NUT, 1/2-13 HEXJAM	1
50	140137	BUSHING, .50X.62X.53	1
51	600666	SCREW, 1/2-13X1-3/4	1
52	140208	SCREW, 1/4-20X1	5
53	140000	WASHER, 1/4 FLAT	8
54	230554	BOARD, CONNECTION	1
55	140524	NUT, 1/4-20 KEP	2
56	611396	ARM, BRUSH LIFT WELDMENT	1
57	140272	SCREW, M6X1.0X16	2
58	140016	WASHER, 1/4 LOCK	2
59	140003	WASHER, 1/4X1 FENDER	2
60	230940	PIN, LIFT ARM PIVOT	1
61	140045	WASHER, .510X1.25X.06 FLAT	4
62	140139	BUSHING, BRUSH LIFT PEDAL	1
63	140024	WASHER, 1/2 LOCK	1
64	140237	SCREW, 1/2-13X1	1
65	102560	PAD, NON-SLIP 1.62 SQ.	1
66	140016	WASHER, 1/4 LOCK	6
67	140895	SCREW, 10-24X3/4	2

● RECOMMENDED STOCK ITEMS / ARTICULOS RECOMENDADOS PARA
MANTENER EN EXISTENCIA

BRUSH DRIVE AND SOLUTION HOSE GROUP
ACCIONAMIENTO DEL CEPILLO Y GRUPO DE MANGUERA DE SOLUCION



BRUSH DRIVE AND SOLUTION HOSE GROUP
ACCIONAMIENTO DEL CEPILLO Y GRUPO DE MANGUERA DE SOLUCION

REF	PART #	DESCRIPTION	QTY.
1	100764	COVER, BRUSH MOTOR	2
∇ 2	130491	●MOTOR, W/GEARBOX 3/4HP IMP	2
▲	190970	●CARBON BRUSH	4
▲ 3	140632	KEY, 1/4 X 1"	1
4	130191	TERMINAL, FEMALE 1/4 #10	2
5	130129	TERMINAL, FML DISCNCT RED	2
6	606243	TAPE, DOUBLE STICK	1
7	230691	BRACKET, MOTOR MOUNT	1
8	140618	PIN, ROLL 1/4 X 1-1/2	4
9	130041	WIRE TIE	1
10	606248	HOSE, 3/8ID X 14.5"	1
11	140310	CLAMP, HOSE 5/16-7/8	2
12	140017	WASHER, 3/8 SPLITLOCK	8
13	140202	SCREW, 3/8-16 X 1	8
14	230672	PLATE, DRIVE	1
15	140197	SCREW, 10-24 X 3/8	4
16	606249	HOSE, 3/8ID X 8"	1
17	230651	CLAMP, BRUSH PLATE	2

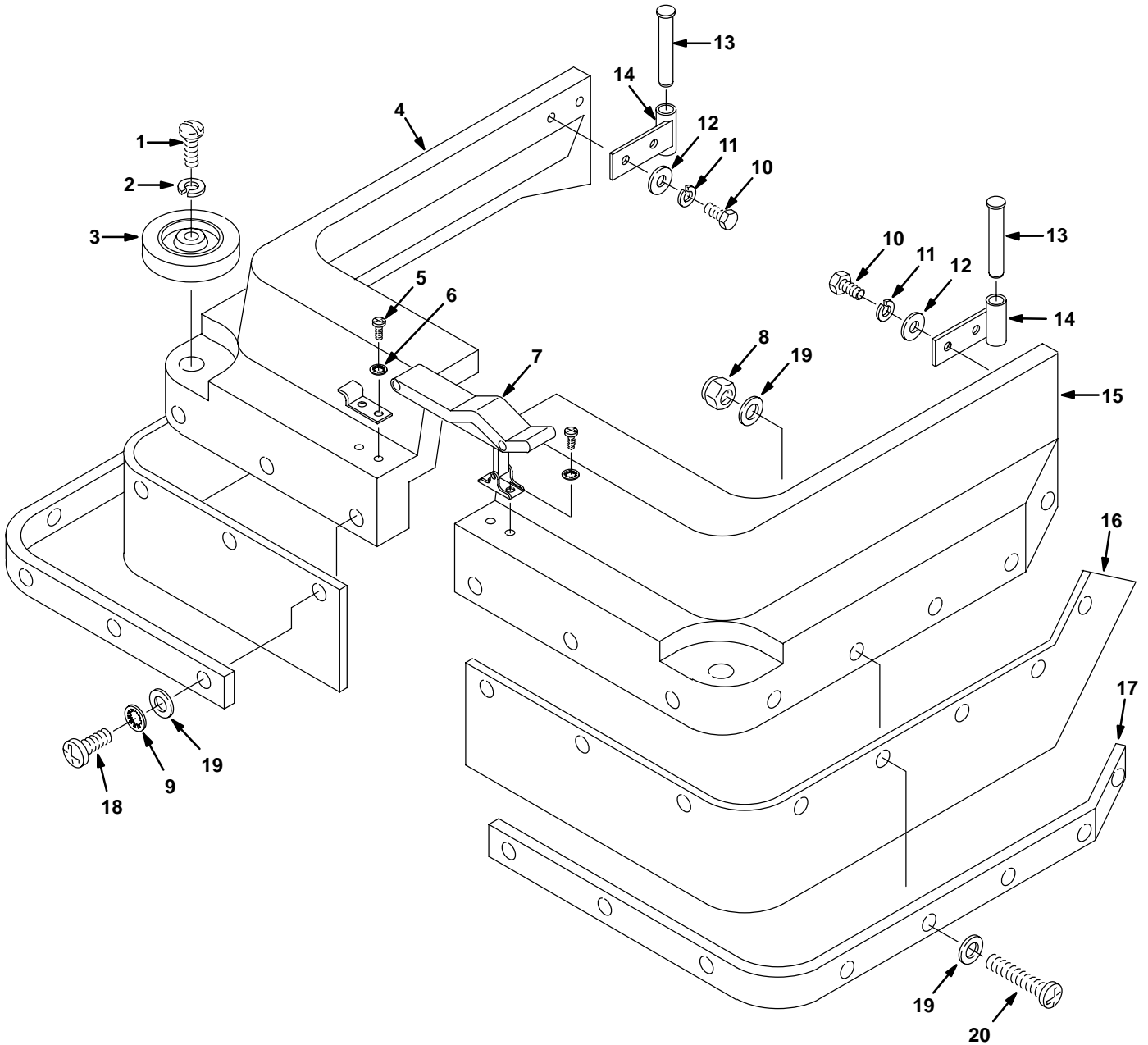
REF	PART #	DESCRIPTION	QTY.
18	140417	CLIP, SPRING	2
19	25732	WASHER, 1.25 X .359 X .093	4
20	140015	WASHER, 5/16 SPLITLOCK	2
21	140219	SCREW, 5/16-18 X 1	2
22	140616	PIN, ROLL 3/32DIAX5/8	1
23	230657	ARM, VALVE	1
24	150516	FITTING, 1/4MX3/8H BARB	1
25	150406	FITTING, 1/4MX1/4F ELBOW 90	1
26	180640	FILTER, SCREEN	1
27	140310	CLAMP, HOSE 5/16-7/8	2
28	600350	TUBING, VINYL	1.1 ft
29	150409	FITTING, 1/4MX5/8H ELBOW 90	1
30	210259	VALVE, 3-WAY 5/16 PORTS	1
31	140552	NUT, 10-24 NYLCK	2
32	605394	FITTING, HOSE BARB	1
33	140895	SCREW, 10-24X3/4	2
34	140028	WASHER, 3/8 FLAT	4

∇ ASSEMBLY / CONJUNTO

▲ INCLUDED IN ASSEMBLY / INCLUIDO EN EL CONJUNTO

● RECOMMENDED STOCK ITEMS / ARTICULOS RECOMENDADOS PARA
MANTENER EN EXISTENCIA

SKIRT GROUP
CONJUNTO JUEGO



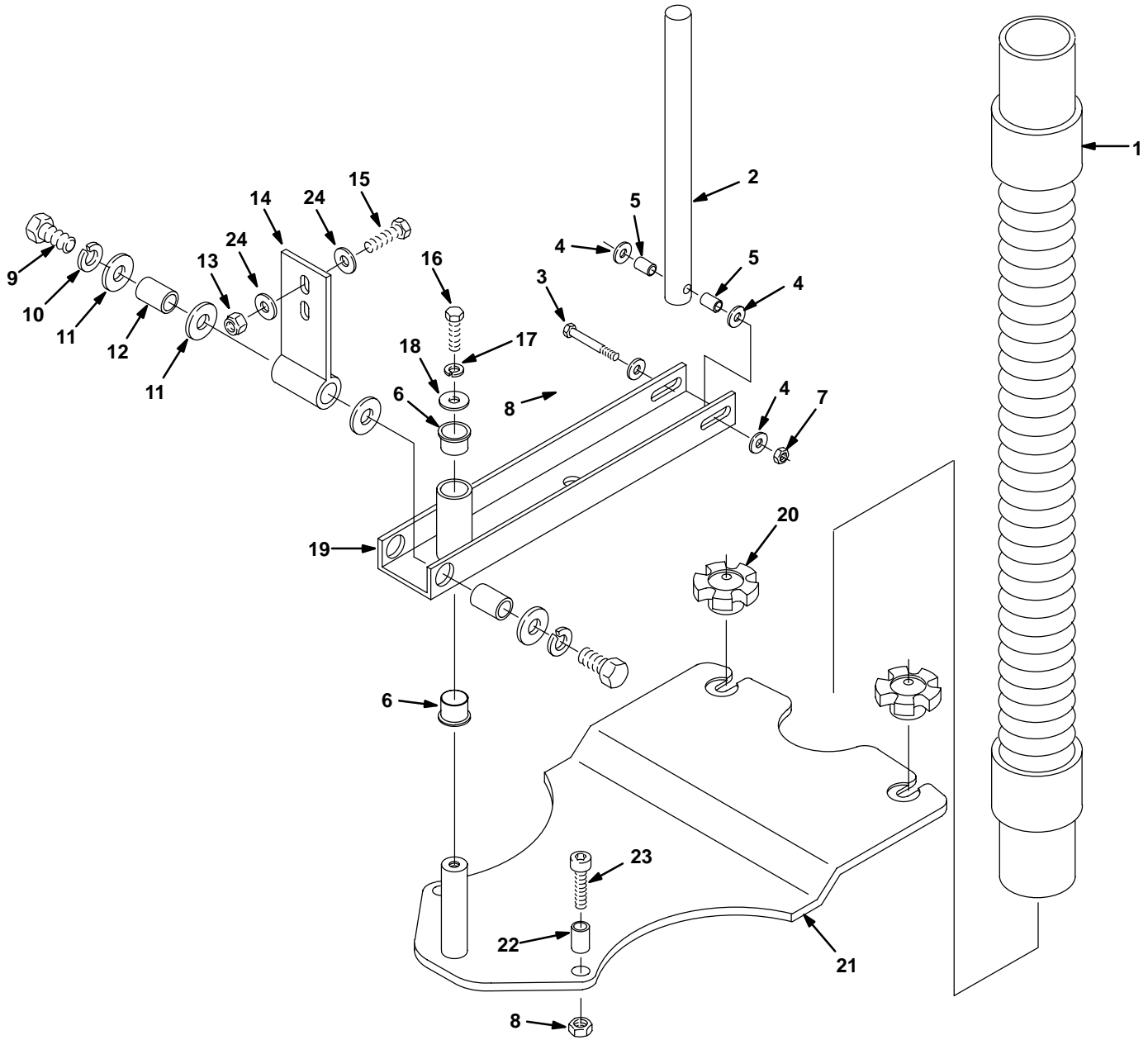
SKIRT GROUP
CONJUNTO JUEGO

REF	PART #	DESCRIPTION	QTY.
1	603154	SCREW, M8 X 1.25 X 40	2
2	140015	WASHER, 5/16 SPLITLOCK	2
3	630450	●WHEEL, 76 DIA X 22 WD RUBBER	2
4	608699	SKIRT, RIGHT SIDE GREEN (2701)	1
	101072	SKIRT, RIGHT SIDE GRAY (2701)	1
	608288	SKIRT, RIGHT SIDE GREEN (3301)	1
	101074	SKIRT, RIGHT SIDE GRAY (3301)	1
5	200070340	SCREW, M4 X .7 X 8	4
6	140023	WASHER, #8 INT	4
7	140932	LATCH, HOOD W/KEEPER	1
8	140283	NUT, M5 X .8 NYLOCK	6-12
9	140018	WASHER, #10 INT	12-16
10	578237000	SCREW, M8 X 1.25 X 18	4
11	140015	WASHER, 5/16 SPLITLOCK	4
12	140027	WASHER, 5/16 FLAT	4
13	230943	PIN, SKIRT	2

REF	PART #	DESCRIPTION	QTY.
14	230942	BRACKET, SKIRT MOUNT	2
15	608697	SKIRT, LEFT SIDE GREEN (2701)	1
	101071	SKIRT, LEFT SIDE GRAY (2701)	1
	608286	SKIRT, LEFT SIDE GREEN (3301)	1
16	101073	SKIRT, LEFT SIDE GRAY (3301)	1
	240277	SPLASH GUARD, (2701)	2
17	240276	SPLASH GUARD, (3301)	2
	230935.BK	STRAP, SPLASH GUARD (2701)	2
18	230934.BK	STRAP, SPLASH GUARD (3301)	2
	578144000	SCREW, M5X16	22-24
19	140011	WASHER, 3/16 FLAT	18-28
20	140293	SCREW, M5X.8X30	6-12

- RECOMMENDED STOCK ITEMS / ARTICULOS RECOMENDADOS PARA MANTENER EN EXISTENCIA

SQUEEGEE CONTROL GROUP
GRUPO DE CONTROL DE LA ESCOBILLA DE GOMA



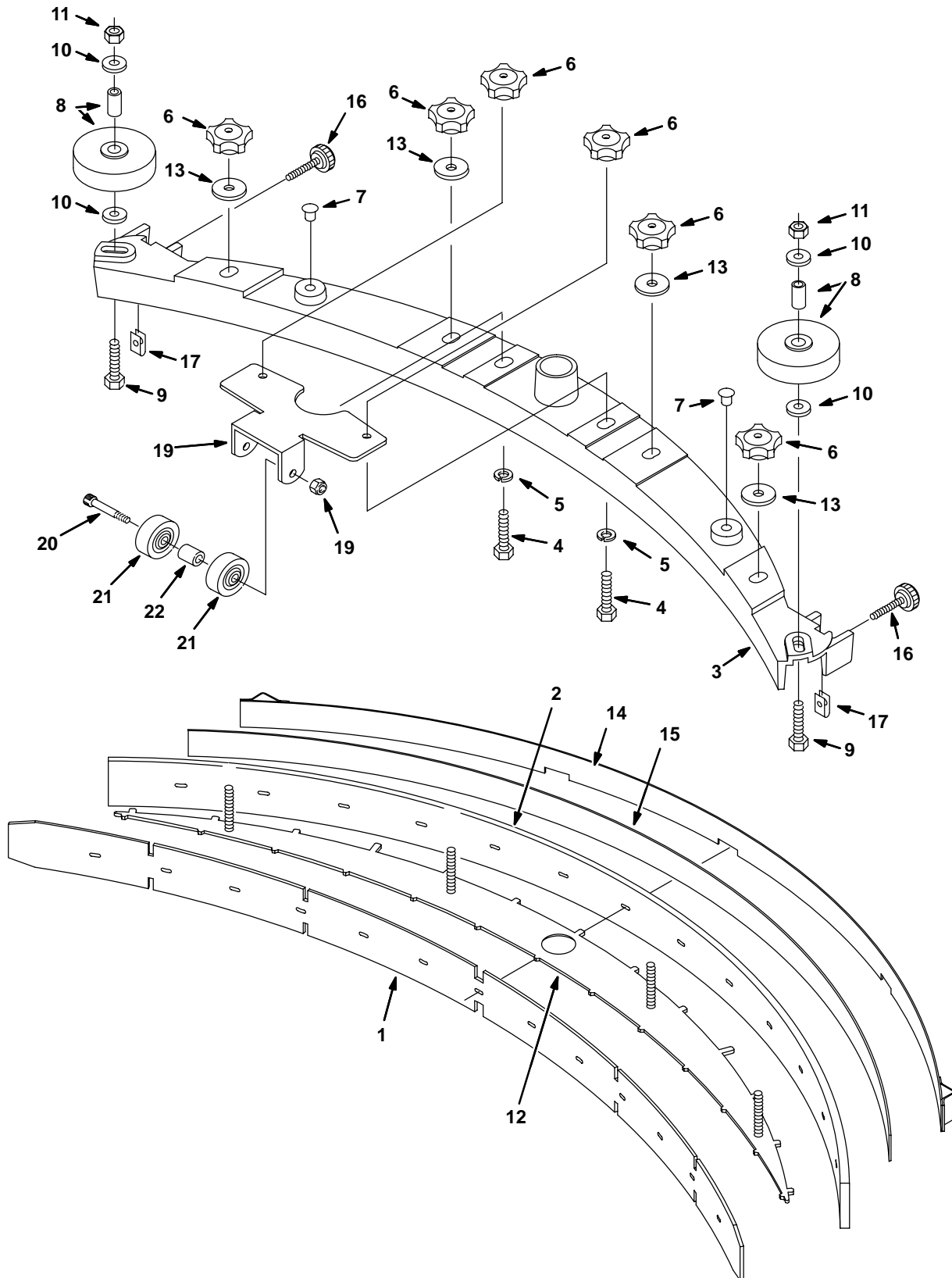
SQUEEGEE CONTROL GROUP
GRUPO DE CONTROL DE LA ESCOBILLA DE GOMA

REF	PART #	DESCRIPTION	QTY.
1	611847	●HOSE, VAC 1.5 X 30" W/ CUFFS	1
2	230441	SHAFT, LIFT	1
3	140209	SCREW, 1/4-20 X 2-1/2	1
4	140000	WASHER, 1/4	4
5	28971	BEARING SLEEVE	2
6	140103	BEARING, FLANGE	2
7	140501	NUT, 1/4-20	1
8	06434	NUT, CLINCH M10X1.5	2
9	140237	SCREW, 1/2-13 X 1	2
10	140024	WASHER, 1/2	2
11	140045	WASHER, .510 X 1.25 X .06	4
12	140139	BUSHING, BRUSH LIFT PEDAL	2

REF	PART #	DESCRIPTION	QTY.
13	140546	NUT, 5/16-18	2
14	611777	BRACKET, SQUEEGEE MOUNT	1
15	140221	SCREW, 5/16-18 X 1-1/4	2
16	140259	SCREW, 1/4-20 X 5/8	1
17	140016	WASHER, 1/4	1
18	140003	WASHER, 1/4 X 1	1
19	230440.BK	BRACKET, SQUEEGEE PIVOT	1
20	605361	KNOB, 5/16-18 BLACK	2
21	611397	BRACKET, MOUNT SQUEEGEE	1
22	390879	SPACER, .63OD, .38L	2
23	611476	SCREW, M10X30MM, SHCS	2
24	140027	WASHER, 5/16	4

- RECOMMENDED STOCK ITEMS / ARTICULOS RECOMENDADOS PARA MANTENER EN EXISTENCIA

CURVED SQUEEGEE GROUP
CONJUNTO PALETA ENCORUADO



CURVED SQUEEGEE GROUP CONJUNTO PALETA ENCORUADO

REF	PART #	DESCRIPTION	QTY.
∇	612029	ASM., SQUEEGEE LINATEX & GUM RUBBER 965MM (38 IN) (2701 MODEL)	1
	612030	ASM., SQUEEGEE LINATEX & GUM RUBBER 1067MM (42 IN) (3301 MODEL)	1
∇	609114	●KIT, SQUEEGEE BLADES, LINATEX & GUM RUBBER 965MM (38 IN) (2701 MODEL)	1
▲ 1	222381	●BLADE, FRONT SQUEEGEE, LINATEX RED 965MM (38 IN) (2701 MODEL)	1
▲ 2	609056	●BLADE, REAR SQUEEGEE GUM RUBBER TAN 965MM (38 IN) (2701 MODEL)	1
▲∇	609115	●KIT, SQUEEGEE BLADES, LINATEX RED 965MM (38 IN) (2701 MODEL)	1
▲ 1	222381	●BLADE, FRONT SQUEEGEE, LINATEX RED 965MM (38 IN) (2701 MODEL)	1
▲ 2	609055	●BLADE, REAR SQUEEGEE LINATEX RED 940MM (37 IN) (2701 MODEL)	1
▲ 1	222241	●BLADE, FRONT SQUEEGEE, LINATEX RED 1067MM (42 IN) (3301 MODEL)	1
▲ 2	611402	●BLADE, REAR SQUEEGEE LINATEX RED 1067MM (42 IN) (3301 MODEL)	1
1	222391	●BLADE, FRONT SQUEEGEE URETHANE WHITE 965MM (38 IN) (2701 MODEL)	1
	222392	●BLADE, FRONT SQUEEGEE URETHANE WHITE 1067MM (42 IN) (3301 MODEL)	1
2	611713	●BLADE, REAR SQUEEGEE URETHANE WHITE 965MM (38 IN) (2701 MODEL)	1
	611457	●BLADE, REAR SQUEEGEE URETHANE WHITE 1067MM (42 IN) (3301 MODEL)	1
	611405	●BLADE, REAR SQUEEGEE GUM RUBBER TAN 1067MM (42 IN) (3301 MODEL)	1
1	222385	●BLADE, FRONT SQUEEGEE GUM RUBBER TAN 965MM (38 IN) (2701 MODEL – FOR GROUTED TILE FLOOR)	1
	222384	●BLADE, FRONT SQUEEGEE GUM RUBBER TAN 1067MM (42 IN) (3301 MODEL – FOR GROUTED TILE FLOOR)	1

REF	PART #	DESCRIPTION	QTY.
▲ 3	611661	CASTING, SQUEEGEE (2701 MODEL)	1
	611401	CASTING, SQUEEGEE (3301 MODEL)	1
▲ 4	140799	SCREW, 5/16–18X1–1/2	2
▲ 5	140015	WASHER, 5/16 SPLITLOCK	2
▲ 6	605361	●KNOB, 5/16–18	6
▲ 7	130164	PLUG, DOME 3/8"	2
▲ 8	630450	WHEEL, 76 DIA X 22	2
▲ 9	621286000	SCREW, M8X1.25X45	2
▲ 10	140027	WASHER, 5/16 FLAT	4
▲ 11	200160017	NUT, M8 LOCK	2
▲ 12	222368	PLATE, BLADE RETAINER (2701 MODEL)	1
	222240	PLATE, BLADE RETAINER (3301 MODEL)	1
▲ 13	140055	WASHER, .343X1.25X.051–.080	4
▲ 14	222378	BAND WELDMENT, SQUEEGEE BLADE (2701 MODEL)	1
	222243	BAND WELDMENT, SQUEEGEE BLADE (3301 MODEL)	1
▲ 15	609110	SPACER, SQUEEGEE * (2701 MODEL)	1
	611398	SPACER, SQUEEGEE * (3301 MODEL)	1
▲ 16	222794	●KNOB, 1/4–20X1–1/2	2
▲ 17	82138	NUT, SPEED RETAINER .25–20	2
▲ 18	601108000	NUT, HEX LOCK	1
▲ 19	611399	BRACKET, ROLLER SQUEEGEE	1
▲ 20	603144	SCREW, SHOULDER	1
▲ 21	630477	WHEEL	2
▲ 22	603368	SPACER	1

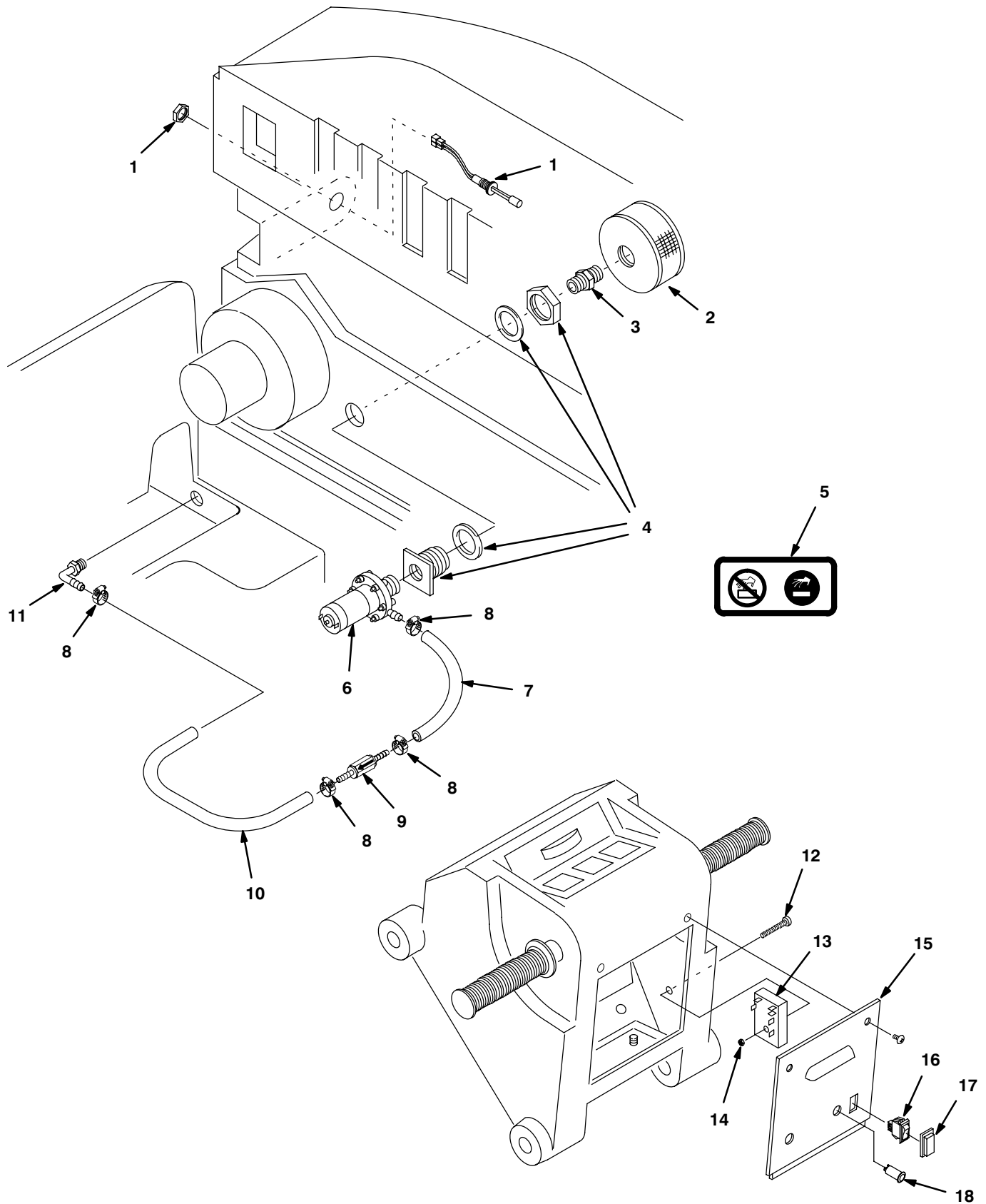
∇ ASSEMBLY / CONJUNTO

▲ INCLUDED IN ASSEMBLY / INCLUIDO EN EL CONJUNTO

● RECOMMENDED STOCK ITEMS / ARTICULOS RECOMENDADOS PARA MANTENER EN EXISTENCIA

* NOTE: TWO SQUEEGEE SPACERS ARE REQUIRED WITH REAR URETHANE BLADES #611713 & 611457 / SE REQUIEREN DOS SEPARADORES DE ESCOBILLA CON LA HOJA DE URETANO #611713 Y 611457.

ES™ KIT
ES™ JUEGO



**ES™ KIT
ES™ JUEGO**

REF	PART #	DESCRIPTION	QTY.
∇	605555	KIT, ES™	1
▲ 1	603166	SWITCH, LIQUID LEVEL W/NUT	1
▲ 2	630138	FILTER, SCREEN	1
▲ 3	630385	FITTING, 3/4M NIPPLE	1
▲ 4	601490	FITTING, 3/4NPT BULKHEAD	1
▲ 5	630440	DECAL, FILTER REMOVE	1
▲ 6	630136	PUMP, SOLUTION 24VDC	1
▲ 7	25160	TUBING, 5/8X.5'	1
▲ 8	140310	CLAMP, HOSE	4
▲ 9	210044	VALVE, CHECK	1

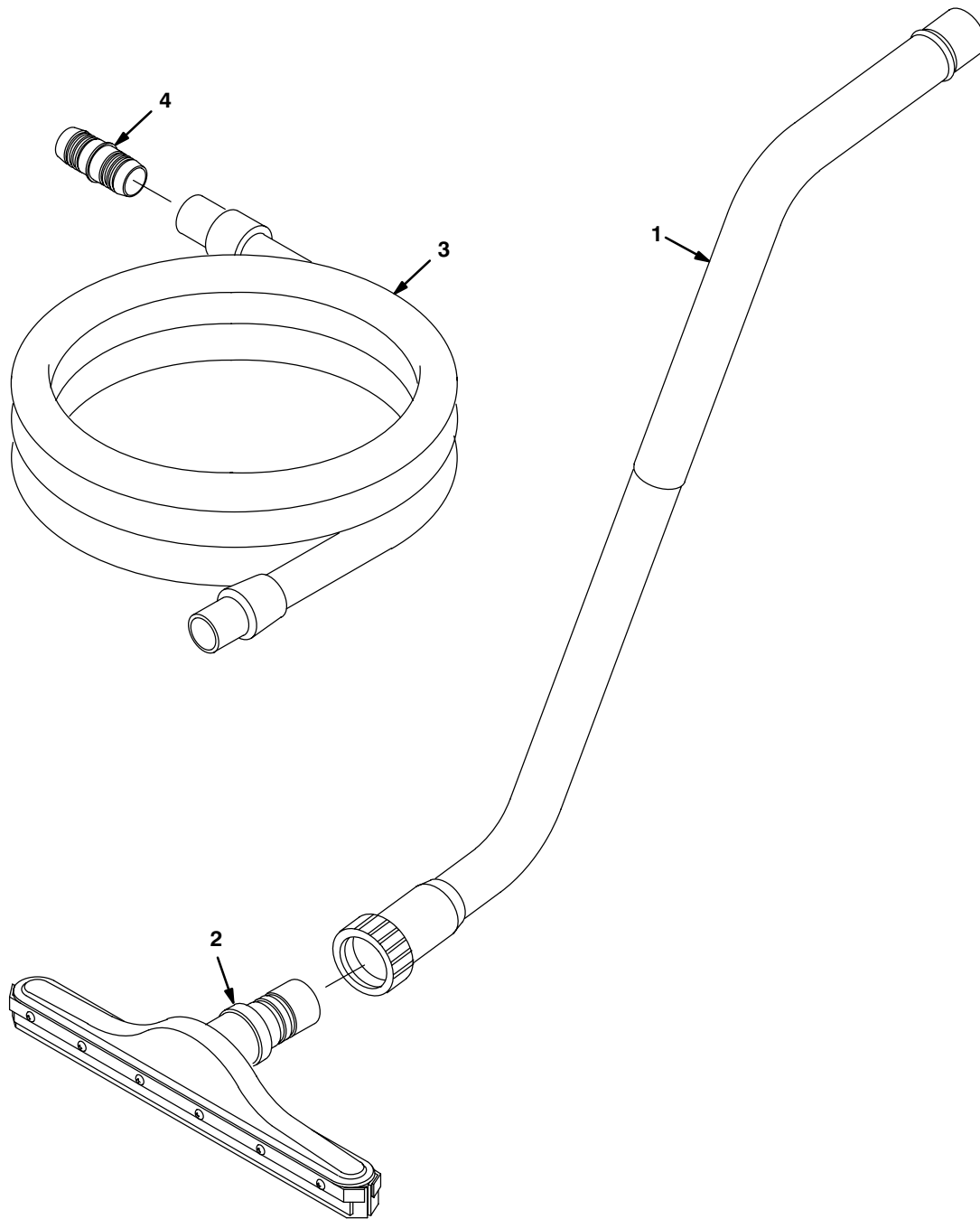
REF	PART #	DESCRIPTION	QTY.
▲10	25160	TUBING, 5/8X1.25'	1
▲11	150415	FITTING, ELBOW 90°	1
▲12	578008000	SCREW, M5X.8X30	1
▲13	630145	●TIMER, 24VDC, RANGE: 30SEC	1
▲14	140283	NUT, 10-24 NYLOCK	1
▲15	606276	COVER, CONTROL PANEL	1
▲16	630419	●SWITCH, ROCKER	1
▲17	578720	SPLASHGUARD, RCKR SWITCH	1
▲18	130738	●LIGHT, INDICATOR GREEN	1
▲N/S	605551	HARNES, WIRE ES™	1

∇ ASSEMBLY / CONJUNTO

▲ INCLUDED IN ASSEMBLY / INCLUIDO EN EL CONJUNTO

● RECOMMENDED STOCK ITEMS / ARTICULOS RECOMENDADOS PARA
MANTENER EN EXISTENCIA

**SQUEEGEE WAND ASSEMBLY
GROUPE D'ASPIRATION ET RACLETTE À MAIN**



REF	PART #	DESCRIPTION	QTY.
▽	190928	●ASM., WAND DOUBLE BEND	1
▲ 1	6108.1	WAND, DOUBLE BEND	1
▲ 2	13840	SQUEEGEE ASM PUSH/PULL	1

REF	PART #	DESCRIPTION	QTY.
▲ 3	160481	●HOSE, VAC 1-1/2X10'	1
▲ 4	160451	CONNECTOR, VAC HOSE	1

▽ ASSEMBLY / CONJUNTO

▲ INCLUDED IN ASSEMBLY / INCLUIDO EN EL CONJUNTO

● RECOMMENDED STOCK ITEMS / ARTICULOS RECOMENDADOS PARA MANTENER EN EXISTENCIA